



## 3-Pole Surge Protector for LED Drivers Surge Protectors for LED Drivers with Universal AC Input



### Features

- Compliant with UL 1449 3<sup>rd</sup> Edition
- IP67 Waterproof – Fully Potted\*P Version
- Surge Current Rating 10,000A
- Compliant with IEEE62.41.2
- Wide Operating Temperature range (-40C-80C)
- Surge Voltage to 6KV

### Applications

- LED Drivers

### Safety Approvals (Preliminary)

- UL
- CE

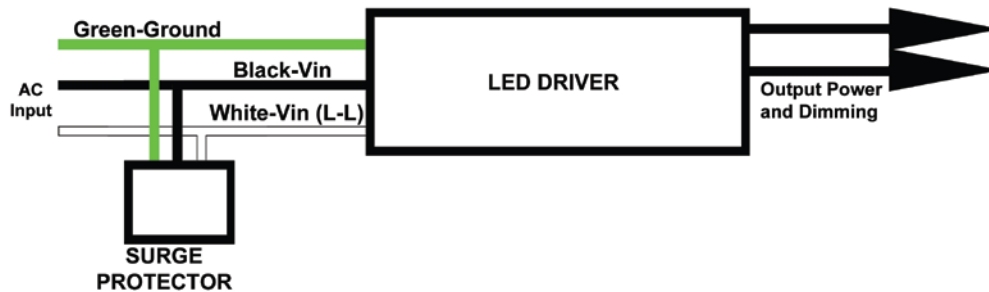
### Mechanical Characteristics

- Length: 90.2mm (3.6in)
- Width: 43mm (1.7in)
- Height: 31mm (1.2in)
- Weight: 212.6g (7.5oz)

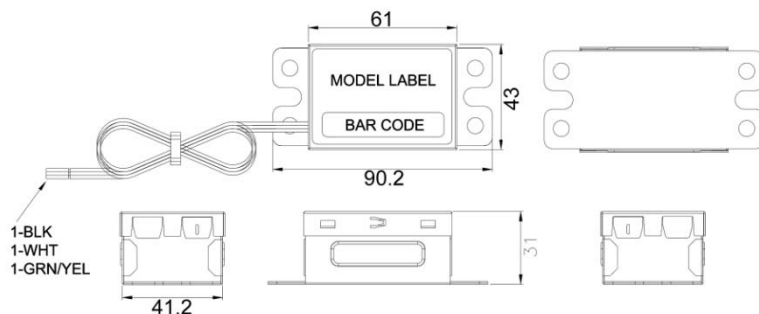
### Output Specifications

Product Name	Input Voltage	Input Current	Max Clamping Voltage	Max Surge Current	Surge Rating
PDA-SURGE	90-305VAC	8A	845V	13000A	445 Joules
PDA-SURGE-P	90-305VAC	8A	845V	13000A	445 Joules

### Wiring Diagram



### Dimension Diagram



### Wire Connections

Position	Length	Gauge
Line – Black	600mm	AWG22
Neutral – White	600mm	AWG22
Ground - Green	600mm	AWG22