



10W Triac Dimmable Constant Current LED Driver PDA010N North American Residential LED Driver



Features

- UL8750 with Class 2 per UL1310
- OVP, OCP, Over-Load and Short-Circuit Protection
- >0.9 Power Factor Correction
- 3 Year Warranty
- IP67 Rating
- THD <20%
- UL 8750 Compliant
- Works with Most leading edge and trailing edge dimmers

Applications

- Down lights
- Area Lights
- Residential lighting

Safety Approvals

- cUL/UL

Mechanical Characteristics

- Length: 80mm (3.14in)
- Width: 78mm (3.07in)
- Height: 25.4mm (0.992in)
- Weight: 165g (5.82oz)

Output Specifications

Model	DC Output Voltage			Output Current	Output Power
	Min.	Typ.	Max.		
PDA010N-350B-R	21V	-	30V	350mA	10W
PDA010N-700B-R	10V	-	14.3V	700mA	10W
PDA010N-1A0B-R	7V	-	10V	1000mA	10W

Phihong is not responsible for any error, and reserves the right to make changes without notice. Please visit our website at www.phihong.com for the most up-to-date specifications and contact information.

INPUT:

AC Input Voltage Rating
108VAC to 132VAC

AC Input Frequency
47~63Hz

Maximum Input Current
≤ 0.25A

Leakage Current
0.25mA maximum

Power Factor
≥ 0.9

THD
Less than 20%

OUTPUT:
Output Current Ripple
≤30%

Efficiency
78% at 120VAC

Environmental:

Temperature
Operation case -00 to +85°C
Non-operation -40 to +85°C
Operating Humidity 20 to 95%

EMC

FCC Part 15 Class B

Immunity

IEC61000-4-2
IEC61000-4-4
IEC61000-4-5
IEC61000-4-11

Dielectric Withstand (Hi-pot) Test

Primary to secondary: 1500VAC for 1 minute, 10mA

Insulation Resistance

Primary to secondary: >10M Ohm 500VDC, 1 Minute

FEATURES:

Short-Circuit Protection

The PSU will withstand a short circuit across the outputs without damage

Output Over-voltage Protection

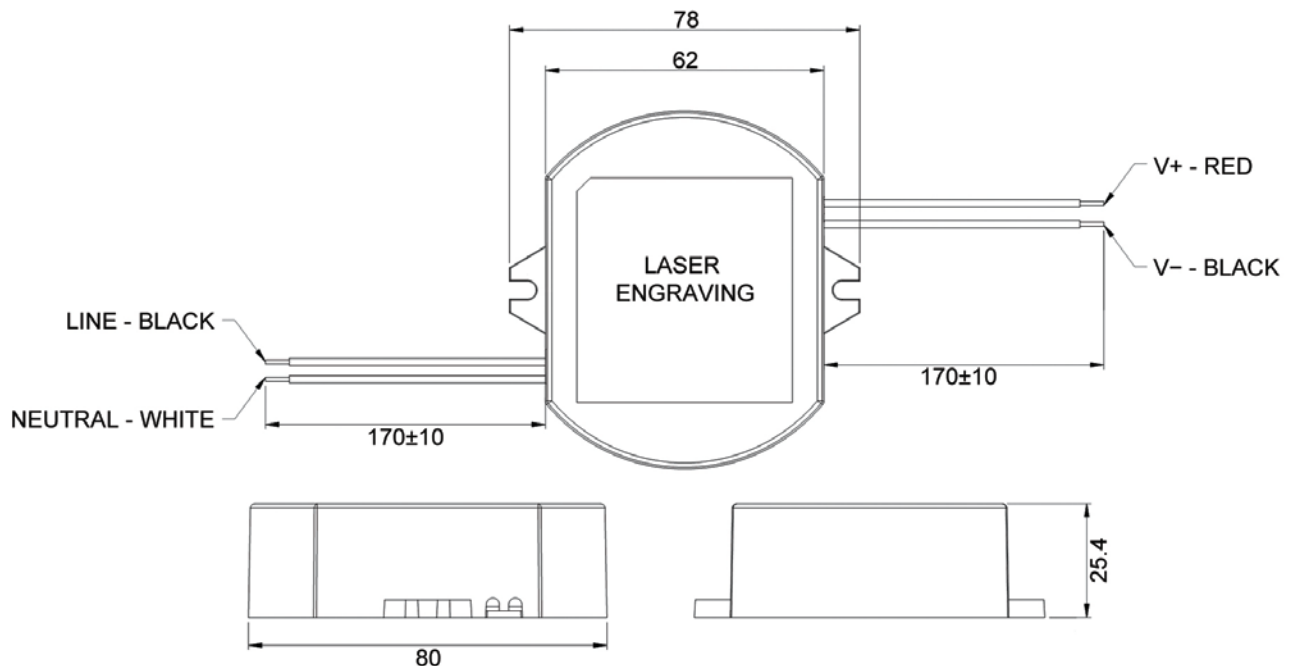
Auto restart

Input / Output Connections

Position	Terminal Color	Specification
Input	Black	AWG18 Stranded Wire
	White	AWG18 Stranded Wire
Output	Red	AWG18 Stranded Wire
	Black	AWG18 Stranded Wire

Warranty

3 Years



Dimmer Compatibility List

Make	Dimmer Name	Series
Leviton®	RP106	Rotary
Leviton®	6613-P	SureSlide®
Leviton®	IPL06	IllumaTech®
Lutron®	DVCL-1539	Diva®
Lutron®	DV-600P	Diva®
Lutron®	DVLV-600P	Diva®
Lutron®	D-600P	Diva®
Lutron®	RRD-6D	RadioRA2™
Lutron®	RRD-10ND	RadioRA2™
Lutron®	DVELV-300P	Diva®
Lutron®	CTELV-303P	Skylark®
Lutron®	GLV-600P	Glyder®
Lutron®	NT-1000	Nova®
Lutron®	SLV-600P	Skylark®
Lutron®	RRD-6NA	RadioRA2™
Lutron®	MA-600	Maestro®
Lutron®	MALV-600	Maestro®

The driver has been tested and is compatible with the above list of dimmers.