



15W Triac Dimmable Constant Current LED Driver PDA015N North American Residential LED Driver



Features

- Class 2 per UL1310
- OVP, OCP, Over-Load and Short-Circuit Protection
- >0.9 Power Factor Correction
- 3 Year Warranty
- IP67 Rating
- THD <20%
- UL 8750 Compliant
- Works with Most leading edge and trailing edge dimmers

Applications

- Down lights
- Area Lights
- Residential lighting

Safety Approvals

- cUL/UL

Mechanical Characteristics

- Length: 80mm (3.14in)
- Width: 78mm (3.07in)
- Height: 25.4mm (1in)
- Weight: 165g (5.82oz)

Output Specifications

Model	DC Output Voltage			Output Current	Output Power
	Min.	Typ.	Max.		
PDA015N-350B-R	25.4V	-	42V	350mA	15W
PDA015N-700B-R	15.05V	-	21.5V	700mA	15W
PDA015N-1A0B-R	10.5V	-	15V	1000mA	15W

Phihong is not responsible for any error, and reserves the right to make changes without notice. Please visit our website at www.phihong.com for the most up-to-date specifications and contact information.

INPUT:

AC Input Voltage Rating
108VAC to 132VAC

AC Input Frequency
47~63Hz

Maximum Input Current
≤ 0.3A

Leakage Current
0.25mA maximum

Power Factor
≥ 0.9

THD
Less than 20%

OUTPUT:
Output Current Ripple
≤ 30%

Efficiency
80% at 120VAC

Environmental:

Temperature
Operation case -00 to +85°C
Non-operation -40 to +85°C
Operating Humidity 20 to 95%

EMC
FCC Part 15 Class B

Immunity
IEC61000-4-2
IEC61000-4-4
IEC61000-4-5
IEC61000-4-11

Dielectric Withstand (Hi-pot) Test
Primary to secondary: 1500VAC for 1 minute, 10mA

Insulation Resistance
Primary to secondary: >10M Ohm 500VDC, 1 Minute

FEATURES:

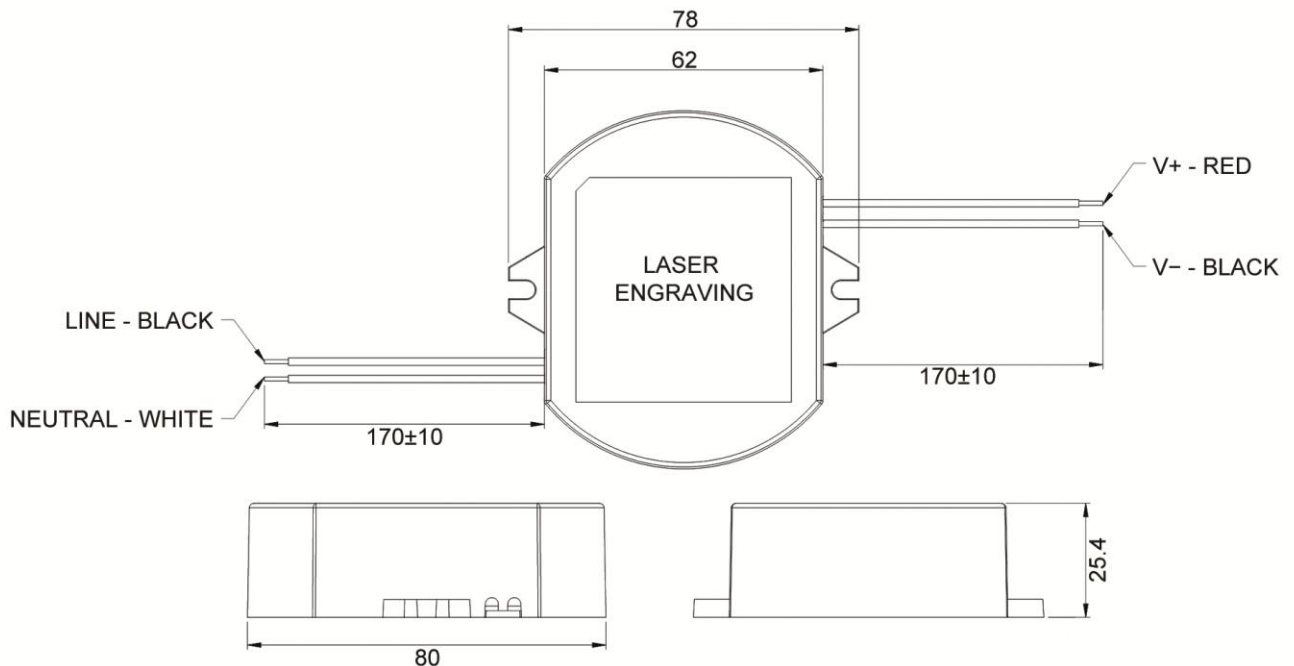
Short-Circuit Protection
The PSU will withstand a short circuit across the outputs without damage

Output Over-voltage Protection
Auto restart

Input / Output Connections

Position	Terminal Color	Specification
Input	Black	AWG18 Stranded Wire
	White	AWG18 Stranded Wire
Output	Red	AWG18 Stranded Wire
	Black	AWG18 Stranded Wire

Warranty
3 Years



Dimmer Compatibility List

Make	Dimmer Name	Series
LEVITON	RP106	ROTARY
LEVITON	DVCL-153P	DIVA
LEVITON	6613-P	SURESLIDE
LEVITON	IPL06	ILLUMATECH
LUTRON	DV-600P	DIVA
LUTRON	DVLV-600P	DIVA
LUTRON	D-600P	DIVA
LUTRON	RRD-6D	RADIORA2
LUTRON	RRD-10ND	RADIORA2
LUTRON	DVELV-300P	DIVA
LUTRON	CTELV-303P	SKYLARK CONTOUR
LUTRON	GLV-600P	GLIDER
LUTRON	NT-1000	NOVA
LUTRON	SLV-600P	SKYLARK
LUTRON	RRD-6NA	RADIORA2
LUTRON	MA-600	MAESTRO
LUTRON	MALV-600	MAESTRO

The driver has been tested and is compatible with the above list of dimmers.