



## 40W Constant Voltage LED Driver PDA041B Waterproof LED Driver Non-Dimming



### Features

- Class 2 per UL1310
- OVP, OCP, Over-Load and Short-Circuit Protection
- >0.9 Power Factor Correction
- 5 Year Warranty
- IP67 Rating - waterproof
- THD <20%
- UL 8750 Compliant
- Brownout/Brownout Recovery

### Applications

- Down lights
- Area Lights
- Architectural lighting

### Safety Approvals

- cUL/UL

### Mechanical Characteristics

- Length: 95mm (3.74in)
- Width: 71mm (2.79in)
- Height: 32mm (1.26in)
- Weight: 340g (11.99oz)

### Output Specifications

Model	Output Current Range			DC Output Voltage	Output Power
	Min.	Typ.	Max.		
PDA041B-24VB	0A	-	1.67A	24V	40W
PDA041B-48VB	0A	-	0.83A	48V	40W

Phihong is not responsible for any error, and reserves the right to make changes without notice. Please visit our website at [www.phihong.com](http://www.phihong.com) for the most up-to-date specifications and contact information.

**INPUT:**

**AC Input Voltage Rating**  
120VAC to 277VAC

**AC Input Frequency**  
47~63Hz

**Maximum Input Current**  
≤ 0.8A

**Leakage Current**  
0.5mA maximum

**Power Factor**  
≥ 0.9

**THD**  
Less than 20%

**OUTPUT:**  
**Output Voltage Ripple**  
≤8% (p-p)

**Efficiency**  
87% at 277VAC

**Environmental:**

<b>Temperature</b>	
Operation case*	-40 to +80°C
Non-operation	-40 to +82°C
Operating Humidity	20 to 95%

\*Output derates from 50°C to 70°C Ta

**EMC**  
FCC 47 Part 18 Class B

**Immunity**  
IEC61000-4-2  
IEC61000-4-4  
IEC61000-4-5  
IEC61000-4-11

**Dielectric Withstand (Hi-pot) Test**  
Primary to secondary: 3000VAC for 1 minute, 10mA

**Insulation Resistance**  
Primary to secondary: >10M Ohm 500VDC, 1 Minute

**Features**  
**Short-Circuit Protection**  
The PSU will withstand a short circuit across the outputs without damage

**Input Over Current Protection**  
The input power line will be fused with a 2A/300V fuse

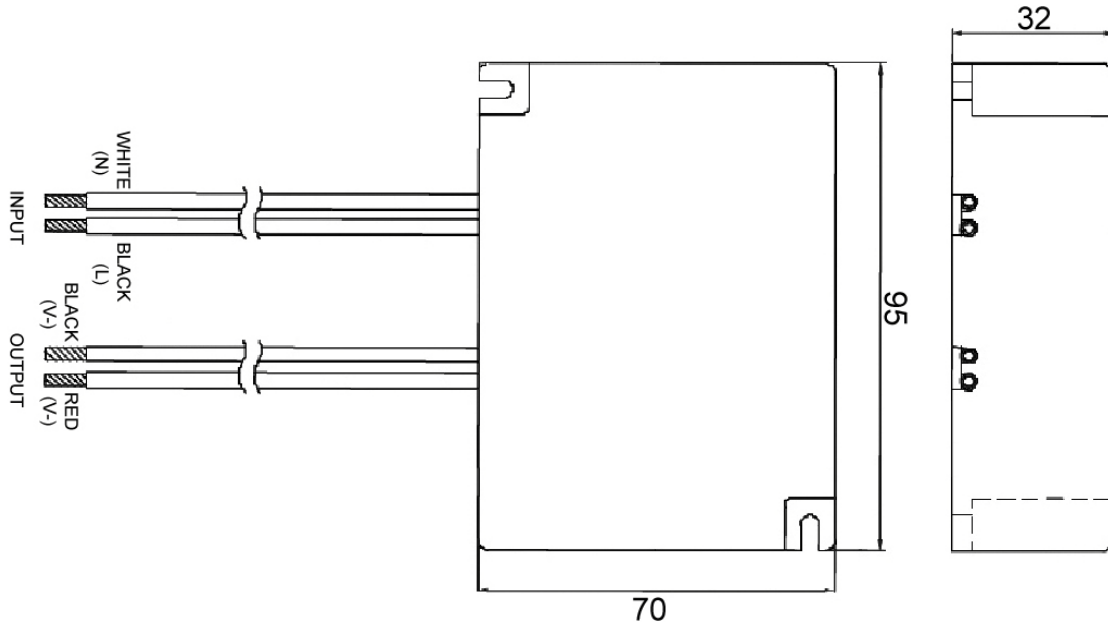
**Output Over-voltage Protection**  
Auto shutdown

**Input / Output Connections**

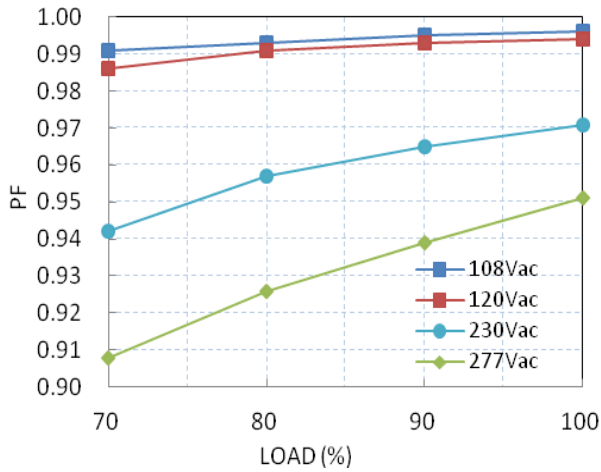
Position	Terminal Color	Specification
Input	Black	AWG16 Solid Wire
	White	AWG16 Solid Wire
Output	Red	AWG18 Solid Wire
	Black	AWG18 Solid Wire

**Warranty**  
5 Years

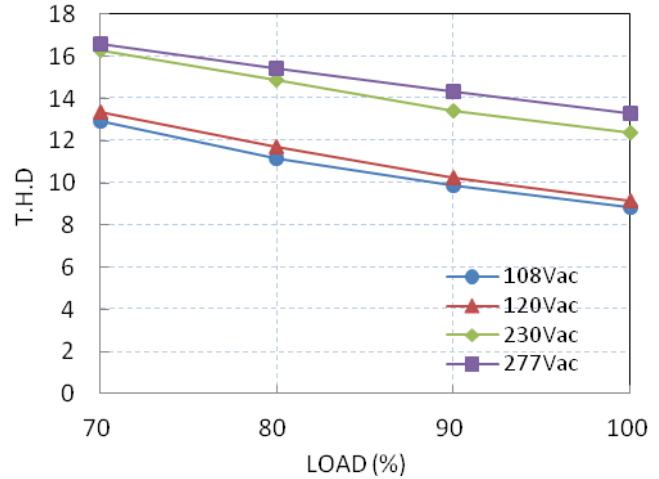
**Dimension Diagram unit: mm**



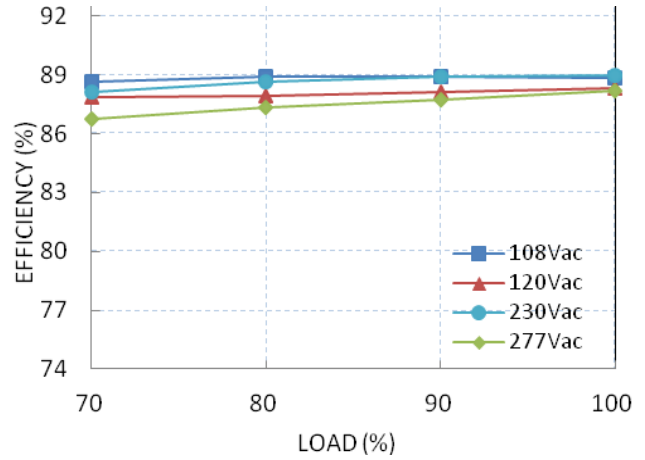
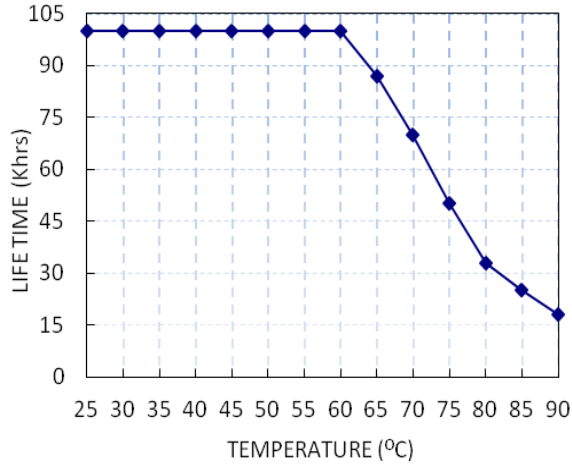
Power Factor vs. Load



Total Harmonic Distortion vs. Load

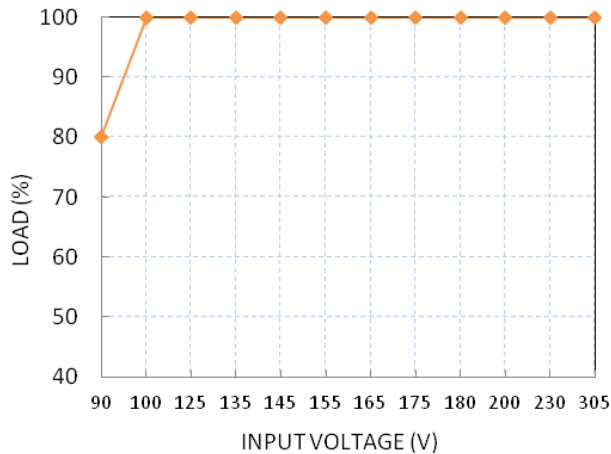


Lifetime vs. Tc



Temperature Rating

Static Characteristic: Load vs. Input Voltage



Derating Curve: Load vs Ta

