



## Single Port 16W Power over Ethernet Interchangeable Wall Plug\* Adapter Power Injector



\*Plugs sold separately



### Features

- Fully Compliant with IEEE802.3af
- Non-Vented Case
- Field Interchangeable AC Clips\*
- 1 Year Warranty
- Lowest Cost
- 10/100Mb Base-T Data rates (standard model)
- Gigabit Option (AFG Model)
- Full Protection OCP, OVP
- Diagnostic LEDs

### Applications

- IP Telephones
- Wireless Network Access Points
- Blue Tooth Access Points
- Security Cameras
- IP Print Servers

### Safety Approvals

- cUL/UL
- SAA
- CE
- C-Tick

### Mechanical Characteristics

- Length: 80mm (3.15in)
- Width: 45mm (1.77in)
- Height: 33mm (1.29in)
- Weight: 95g (3.35oz.)

### Output Specifications

Model	DC Output Voltage	Load		Output Power	Regulation	
		Min.	Max.		Line	Load
POE16R-1AF-R <sup>1</sup>	56V	0A	0.275A	15.4W	54-57VDC	

(1) Consult factory for availability

Phihong is not responsible for any error, and reserves the right to make changes without notice. Please visit our website at [www.phihong.com](http://www.phihong.com) for the most up-to-date specifications and contact information.

**INPUT:****AC Input Voltage Range**

90 to 264VAC

**AC Input Voltage Rating**

100 to 240VAC

**AC Input Current**

0.8A (RMS) max for 90VAC

0.5A (RMS) max for 240VAC

**Leakage Current**

0.25mA max @ 254VAC 60Hz

**AC Input Frequency**

47-63Hz

**AC Inrush Current**

15A (RMS) max for 115VAC

20A (RMS) max for 230VAC

**OUTPUT:****Total Output Power**

15.4W

**Ripple and Regulation**

150mV max

**Efficiency**

75% (typical) at max load, 120VAC 60Hz

**Transient O/P Voltage Protection**

60V max at switch on/off, any AC line phase

**Hold-up time:**

16mS min at max load and 120VAC, 60Hz

**ENVIRONMENTAL:****Temperature**

Operation 0 to +40°C

Non-operation -25 to +65°C

Humidity 5 to 90%

**EMC**

Complies with FCC Class B

Complies with EN55032 Class B

**Immunity EN50082-1**

ESD: EN61000-4-2. Level 3

RS: EN61000-4-3. Level 2

EFT: EN61000-4-4. Level 2

Surge: EN61000-4-5. Level 3

CS: EN61000-4-6. Level 2

Voltage Dips EN61000-4-11

Harmonic: EN61000-3-2 Class A

**Isolation Test**

Primary to Secondary: 3000VAC for 1 second

10mA

**Insulation Resistance**

Primary to Secondary: &gt;10M OHM 500VDC

**FEATURES:****Over Voltage/Current, Short Circuit Protection**

The output is equipped with short circuit protection and overload protection as per IEEE802.3af specifications and conforms to UL60950-2. The output can be shorted permanently without damage.

**Hold-up Time**

16mS min. 120VAC and max load

**Indicator**

Solid Green: Valid IEEE802.3af load detected and connected "ON"

Blinking Green/Red: Invalid load connected

Solid LED: Fault detected

**Data in/Output Connector**

RJ45

**Output Connection (Standard Model)**

+pin 4,5 / -pins 7,8

**Output Connection (Gigabit Model)**

+pin 3,6 / -pins 1,2

**Warranty**

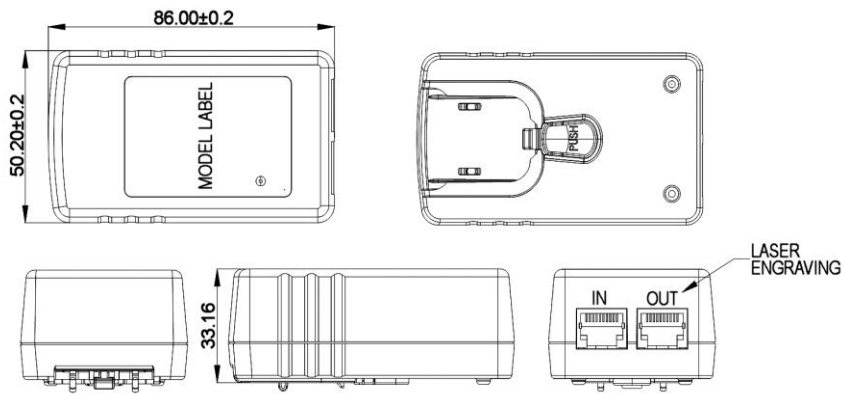
1 Year

**Interchangeable AC Clips**

**(Sold Separately)**

RPA:	US	RPI:	India
RPB:	Brazil	RPK:	UK
RPC:	China	RPN:	Argentina
RPE:	Europe	RPS:	Australia
RPH:	Korea	RPX:	C8

**Dimensional Diagram Unit: mm**



**Supplier's Declaration of Conformity**  
**47 CFR § 2.1077 Compliance Information**

Phihong USA Corporation  
47800 Fremont Boulevard  
Fremont, CA 94538  
Telephone: (510) 445-0100  
[www.phihong.com](http://www.phihong.com)

The model has/The models in this product series have been tested and found to comply with the limits for a Class B digital device, pursuant to part 15 of the FCC Rules. These limits are designed to provide reasonable protection against harmful interference in a residential installation. This equipment generates, uses and can radiate radio frequency energy and, if not installed and used in accordance with the instructions, may cause harmful interference to radio communications. However, there is no guarantee that interference will not occur in a particular installation. If this equipment does cause harmful interference to radio or television reception, which can be determined by turning the equipment off and on, the user is encouraged to try to correct the interference by one or more of the following measures:

- Reorient or relocate the receiving antenna.
- Increase the separation between the equipment and receiver.
- Connect the equipment into an outlet on a circuit different from that to which the receiver is connected.
- Consult the dealer or an experienced radio/TV technician for help.

Changes or modifications to equipment not expressly approved by PHIHONG could void the user's authority to operate the equipment.