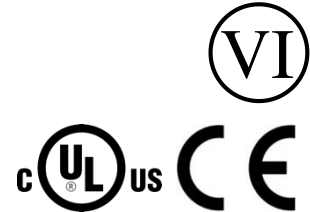




## 30W Single Port Passive PoE Injectors



### Features

- DOE VI Efficiency
- EU CoC Version 5 Tier 2 Efficiency
- Compact Size
- Limited Power Source
- Three Wire Input Models
- Full Over-Voltage and Over-Current Protection
- Non-Vented Case
- 1 Year Warranty

### Applications

- IP Telephones
- Wireless Access Points
- Bluetooth® Access Points
- Security Cameras
- IP Print Servers
- WiMAX® Access Points

### Safety Approvals

- cUL/UL (62368-1)
- CB (IEC62368-1)
- CE
- UL,cUL, CB 60950-1

### Mechanical Characteristics

- Length: 140.1mm (5.52in.)
- Width: 45.5mm (1.79in.)
- Height: 30.0mm (1.18in.)
- Weight: 200g (7.04oz)

### Output Specifications

Model	Input Connector	Data Rate	DC Output Voltage	Load		Regulation <sup>1</sup>	
				Min.	Max.	Line	Load
POEA30U-560-R	C14	10/100/1000	56V	10mA	536mA	±5%	
POEA30U-560E-R <sup>2</sup>	C14	10/100/1000	56V	10mA	536mA	±5%	
POEA30U-560-2-R	C14	10/100/1000/2500	56V	10mA	536mA	±5%	
POEA30U-560-5-R	C14	10/100/1000/2500/5000	56V	10mA	536mA	±5%	
POEA30U-560-X-R	C14	10/100/1000/2500/5000/10000	56V	10mA	536mA	±5%	

Notes:

1. Voltage measured within 2" of the output RJ45 connector on data pairs 3,6(+) and 1,2(-)
2. Shielded RJ45 jacks

Phihong is not responsible for any error, and reserves the right to make changes without notice. Please visit our website at [www.phihong.com](http://www.phihong.com) for the most up-to-date specifications and contact information.

**INPUT:****AC Input Voltage Range**

90 to 264VAC

**AC Input Current**

0.8A (RMS) max

**AC Input Frequency**

47Hz to 63Hz

**Leakage Current**

3.5mA max @254V, 50Hz

**Max In-rush Current**60A max at 240VAC and max load  
(Cold Start at ambient 25°C)**OUTPUT:****Output Power**

30W, de-rated up to 15W at 50°C

**Hold up Time**

10mSec min at max load at 120VAC, 60Hz

**Efficiency**

Minimum 85% @max load

**ENVIRONMENTAL****Temperature**

Operating -10°C to +40°C

Non-operating -20°C to +70°C

Relative Humidity 5 to 90%

**EMI**

Complies with EN55032 Class B

Complies with FCC part 15 Class B

**EMC**

ESD: IEC61000-4-2 , Level 3

RS: IEC61000-4-3, Level 3

EFT/Burst: IEC61000-4-4, Level 2

Surge: IEC61000-4-5, Level 3

CS: IEC61000-4-6 , Level 3

Voltage Dips: IEC61000-4-11, Class 3

Harmonic: IEC61000-3-2, Class A

**Isolation (HI-POT)**

4242VDC for 1 minute, 10mA

**Insulation Resistance**

Primary to secondary:&gt;10M Ohm 500VDC

**FEATURES:****Over Voltage Protection**

Non-Latching auto recovery

**Over Current Protection**

&lt;1200mA Non-latch

**Short Circuit Protection**

Non-Latching auto recovery. Output can be shorted permanently without damage.

**LED Indicators**

Blue Solid – Power Good

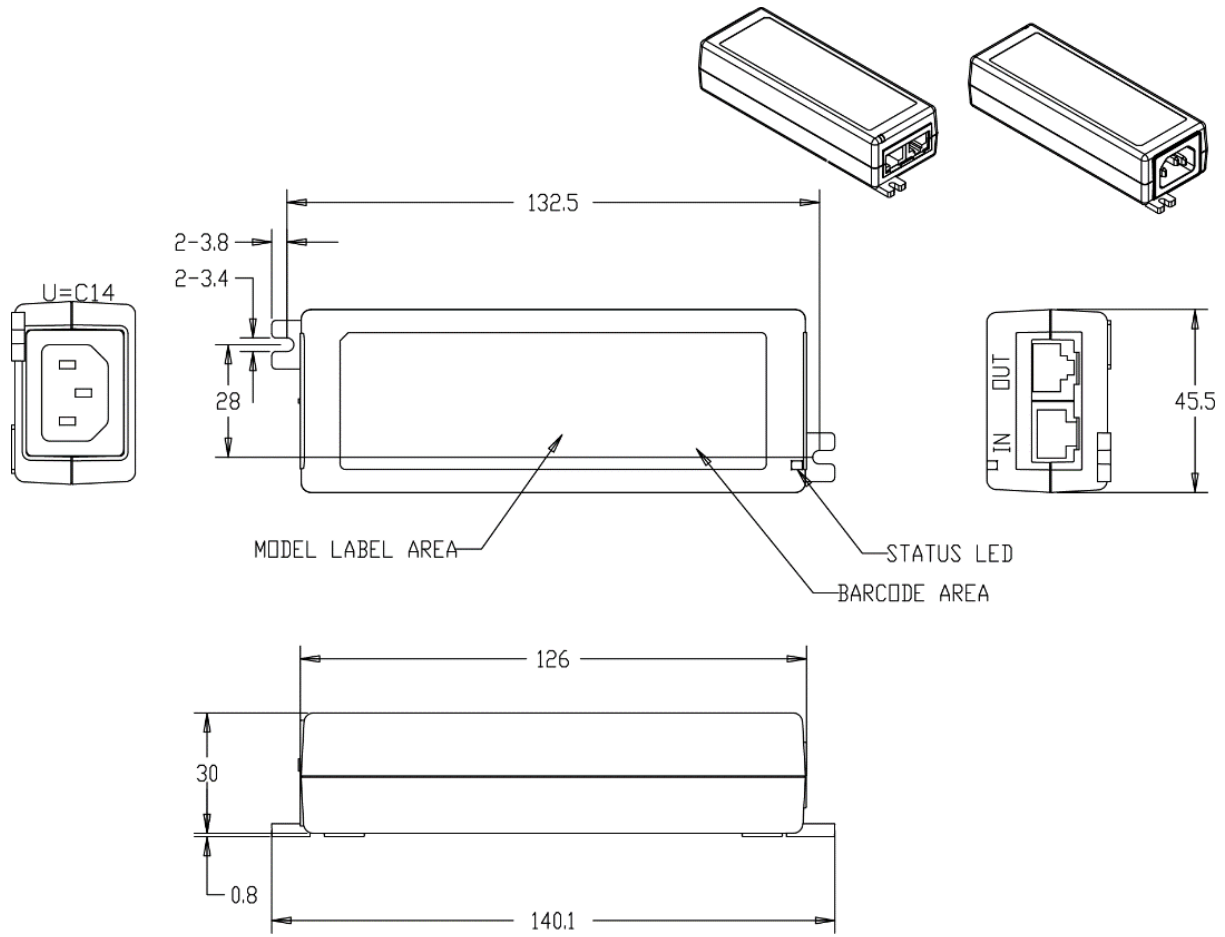
**AC Input Connector**

IEC320 C14 - U Models – three wire

**Output Connection**

56vdc RJ45 Pins 3&amp;6

56vrtn RJ45 Pins 1&amp;2



**Supplier's Declaration of Conformity**  
**47 CFR § 2.1077 Compliance Information**

Phihong USA Corporation  
47800 Fremont Boulevard  
Fremont, CA 94538  
Telephone: (510) 445-0100  
[www.phihong.com](http://www.phihong.com)

NOTE: This model has/The models in this products series have been tested and found to comply with the limits for a Class B digital device, pursuant to part 15 of the FCC Rules. These limits are designed to provide reasonable protection against harmful interference in a residential installation. This equipment generates, uses and can radiate radio frequency energy and, if not installed and used in accordance with the instructions, may cause harmful interference to radio communications. However, there is no guarantee that interference will not occur in a particular installation. If this equipment does cause harmful interference to radio or television reception, which can be determined by turning the equipment off and on, the user is encouraged to try to correct the interference by one or more of the following measures:

- Reorient or relocate the receiving antenna.
- Increase the separation between the equipment and receiver.
- Connect the equipment into an outlet on a circuit different from that to which the receiver is connected.
- Consult the dealer or an experienced radio/TV technician for help.

Changes or modifications to equipment not expressly approved by PHIHONG could void the user's authority to operate the equipment.