



5 Watt F-Series Adapter with Interchangeable AC Clips



Features

- Folding Blades
- Constant Current for Battery Charging
- 15mm Thick with Blades Folded
- Limited Power Source (LPS)
- Interchangeable AC Clips
- Level VI Efficiency Compliant
- No load power saving <75mW

Applications

- Tablets
- Networking Equipment
- Personal Electronics
- Peripherals

Safety Approvals

- cUL/UL
- RCM⁽¹⁾
- CE
- CB

Mechanical Characteristics

- Length: 60mm (2.36in)
- Width: 47mm (1.85in)
- Height: 15.0mm (0.59in)
- Weight: 38.5g (1.36oz)

Output Specifications

Model	DC Output Voltage			Load	
	Min.	Typ.	Max.	Min.	Max.
PSA05F-050QAL6	4.90V	5V	5.25V	0A	1A
PSA05F-050QAL6D ⁽²⁾	4.85V	5V	5.25V	0A	1A

Notes (1): Registration by Local Representative may be needed.

(2): D model output to compensate for DC drops in the USB cable by 180mV at full load

Phihong is not responsible for any error, and reserves the right to make changes without notice. Please visit our website at www.phihong.com for the most up-to-date specifications and contact information.

INPUT:**AC Input Voltage Range**

85 to 264V AC

AC Input Voltage Rating

100 to 240V AC

AC Input Frequency

47 to 63Hz

AC Input Current

150mA RMS maximum at 120V

80mA RMS maximum at 230V

Leakage Current

80uA maximum at 240V

Inrush Current

25A at 230V

OUTPUT:**Output Power**

5W Continuous

Efficiency

DOE Level VI

EU CoC Rev5 Tier 1

Standby Power

<75mW at 230VAC/50Hz

Ripple and Noise

100mVp-p

ENVIRONMENTAL:**Temperature**

Operating 0 to +45C

Non-operating -40 to +70C

Humidity 5 to 95%

EMI

Complies with FCC Class B

Complies with EN55032 Class B

Immunity

ESD: EN61000-4-2 Level 4

Radiated: EN61000-4-3 Level 2

EFT: EN61000-4-4 Level 2

Surge: EN61000-4-5 Level 3

C/T: EN61000-4-6 Level 2

PFMT: EN61000-4-8

VDT: EN61000-4-11

Harmonic: EN61000-3-2 Class A

Flicker: EN61000-3-3

Dielectric Withstand (HI-POT) Test

Primary to secondary: 3000V AC, 10mA, 60 seconds

Insulation Resistance

Primary to secondary: 500V >7M OHM

FEATURES:**Over Voltage Protection**

Auto-restart 6.5V maximum

Short Circuit Protection

Must withstand continuous short circuit

Over Current Protection

Auto restart

DC Output

USB A

AC Input

US Fixed Blade folding prong

Interchangeable AC Clips (fit over US prongs) Sold Separately

FPBAG: FPE, FPK, FPS

FPB: Brazil

FPC: China

FPE: Europe

FPH: Korea

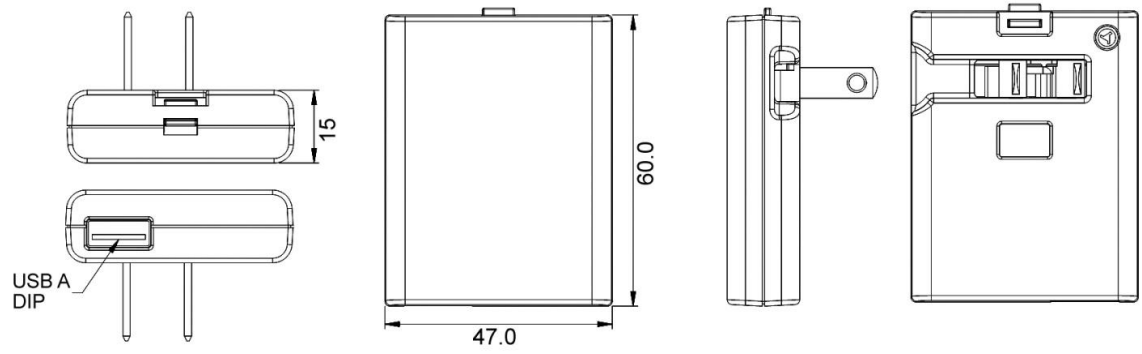
FPI: India

FPK: UK

FPN: Argentina

FPS: Australia

Dimension Diagram Unit: mm



[Type text]