



## 24W Wall Plug Adapter



### Features

- Class B EMI
- No Load Power Consumption <0.3W
- Ecodesign ErP Directive 2009/125/EC level 2 annex 1b Compliant
- Class II Double Insulated
- CEC Compliant
- Short-Circuit Protection

### Applications

- Portable Equipment
- Peripherals
- Access Devices

### Safety Approvals

- CE
- TUV

### Mechanical Characteristics

- Length: 83.5mm (3.29in)
- Width: 35mm (1.38in)
- Height: 53.5mm (2.11in)

### Output Specifications

Model <sup>(1)</sup>	DC Output Voltage	Load		Ripple P-P (max.)	Efficiency Level
		Min.	Max.		
PSAC24E-120-R	12V	0A	2A	120mV	

Notes(1): Minimum order quantity of 3500 pieces required when ordering.

Phihong is not responsible for any error, and reserves the right to make changes without notice. Please visit our website at [www.phihong.com](http://www.phihong.com) for the most up-to-date specifications and contact information.

**INPUT:**

**AC Input Voltage Rating**  
100-240V AC

**AC Input Voltage Range**  
90-264V AC

**AC Input Frequency**  
50-60Hz

**Input Current**  
0.6A (RMS) max at 100V AC

**Leakage Current**  
0.25mA maximum

**Inrush Current**  
85A maximum at 230V AC  
(Cold Start and ambient 25°C)

**Input Power Saving**  
<0.3W at 115V AC and 230V AC, 0A

**OUTPUT:**

**Efficiency**  
Meets Level V Efficiency Requirements  
82% Minimum efficiency

**ENVIRONMENTAL:**

**Temperature**  
Operation           0 to 40°C  
Non-operation      -40 to 85°C  
Humidity            90%

**Over-Voltage Protection**

Voltage should not exceed 24V

**Over-Current Protection**

5A maximum at 230V AC

**EMI**

Complies with FCC Class B  
Complies with EN55032 Class B

**Immunity**

ESD: EN61000-4-2	Level 4
Surge: EN61000-4-5	Level 2
EFT: EN61000-4-4	Level 2

**Dielectric Withstand (Hi-pot) Test**

Primary to Secondary: 3000V AC for 1  
minute, 10mA

**Insulation Resistance**

Primary to Secondary: 7M ohm 500V DC

**MTBF**

50K Hours min(MIL-HDBK-217F) at max  
load and 25°C

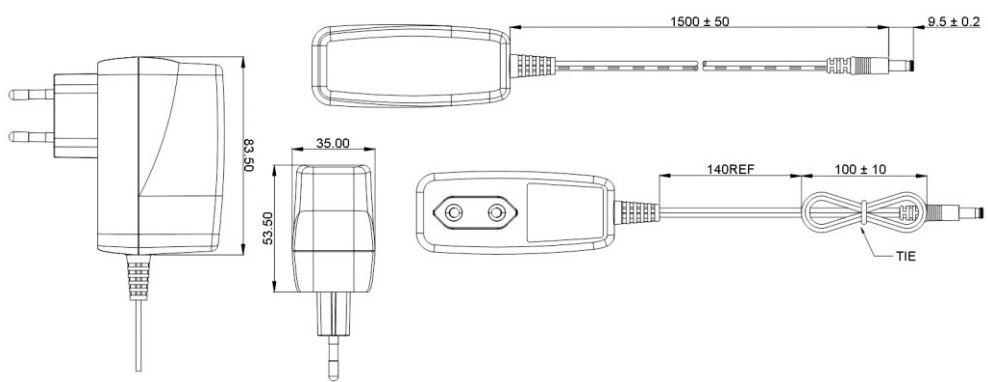
**DC Output Connector**

2.5mm x 5.5mm x 9.5mm

**DC Cord**

1.5 meters

**Dimension Diagram Unit: mm (inch)**



[Type text]