



15W Fixed Blade USB Charger With USB Type-C – 2nd Gen



Energy Verified
Rendement
Énergétique Vérifié

Features

- USB Type-C
- Fixed Blade
- US DoE Level VI Compliance
- Voltage Drop Compensation
- Class B EMI
- OVP and short circuit protection
- Operation up to 5,000 Meters

Applications

- Mobile Devices
- Portable Devices
- Networking Devices

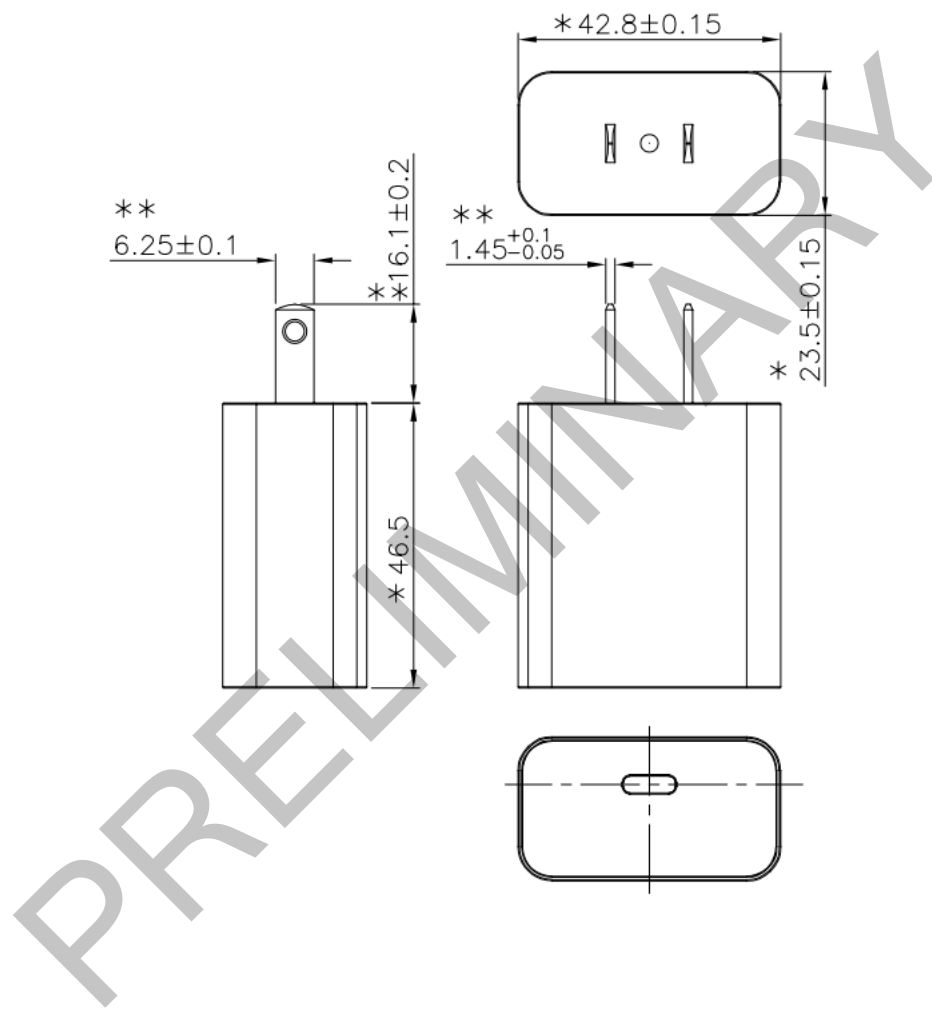


AQ15A-050B Specifications¹

Model		AQ15A-050B-H	AQ15A-050BW-H ²
Output	DC Output Voltage	5.0V	
	Max Current	3.0A	
	Output Power	15.0W	
	Regulation	± 5%	
	Ripple & Noise P-P(max) ³	150mV	
Input	AC Input Voltage Range	90 to 264VAC	
	AC Input Frequency	47 to 63Hz	
	Input Current	0.5A (RMS) at full load	
	Inrush Current	80A max at 264Vac, cold start	
	No Load Power Consumption	100mW max. at 115Vac/60Hz, 230Vac/50Hz	
	Average Efficiency ⁴	81.84% min. at 115Vac/60Hz, 230Vac/50Hz	
	Leakage Current	<0.1mA @ 264Vac	
Protections	Over-Voltage	< 7.5V	
	Short Circuit	Auto recover with no damage	
	Over-Current	< 3.6A, auto-recovery	
Environmental	Operating Temperature	0°C to +40°C	
	Storage Temperature	-25 to +60°C	
	Operating Humidity	10 to 90% RH	
Safety Approvals and EMC	Dielectric Withstand (HI-POT)	Primary to Secondary: ≤ 5mA @ 3.6K Vac for 1 min.	
	Insulation Resistance	Primary to Secondary: ≥ 2M ohm @ 500Vdc	
	Standards	cULus 62368-1	
	EMI Emissions	FCC Part 15 Class B Conducted and Radiated	
Mechanical	Dimensions (L x W x H)	46.5mm (1.83in) x 42.8mm (1.69in) x 23.5mm (0.93in)	
	DC Output Connector	USB-C	
	Case Color	Black	White
Notes	<ol style="list-style-type: none"> The specifications defined are at ambient temperature of 25°C, unless otherwise specified. Special order item. Minimum order quantity applies. 20MHz bandwidth frequency oscilloscope, add a 0.1µF multilayer Cap. and Low ESR Electrolytic Cap. (10µF) at output connector terminals (nominal line voltage, full load). Efficiency is measured after 15 minutes burn-in. Tested with Huaian Jen Vei Electronic Company., Ltd., USB C-to-C cable part number 1U-01560WA measuring 1,000mm with 30AWGx2C + 30AWGx2C + 22AWGx2C (2E+F+A+S). 		



AQ15A-050B Outline Drawing





Supplier's Declaration of Conformity
47 CFR § 2.1077 Compliance Information

Phihong USA Corporation
47800 Fremont Boulevard
Fremont, CA 94538
Telephone: (510) 445-0100
www.phihong.com

This device complies with/The devices in this product series comply with part 15 of the FCC Rules. Operation is subject to the following two conditions: (1) This device may not cause harmful interference, and (2) this device must accept any interference received, including interference that may cause undesired operation.



USB Cables – Sold Separately

Unit: mm

Part no: UES-1001A160	Desc: Low Drop Type-C USB Cable – 1 Meter – 23AWG on Power – 30AWG on Data - Black
Part no: UES-1003A160	Desc: Low Drop Type-C USB Cable - 1 Meter – 23AWG on Power – 30AWG on Data - White

PRELIMINARY