



15W Fixed Blade USB Charger With USB Type-C – 2nd Gen



Features

- USB Type-C
- Fixed Blade
- Ecodesign 2019/1782 Compliant
- Code of Conduct Version 5 Tier 2 Compliant
- Voltage Drop Compensation
- Class B EMI
- OVP and short circuit protection
- Operation up to 5,000 Meters

Applications

- Mobile Devices
- Portable Devices
- Networking Devices

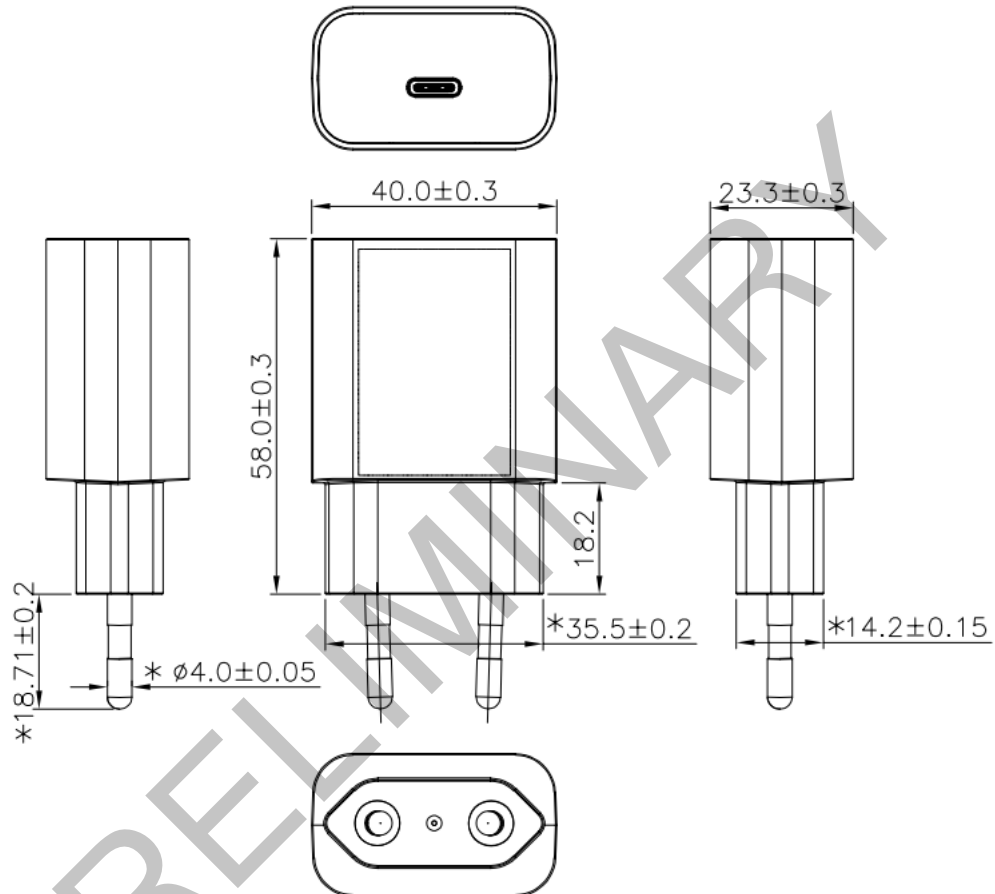


AQ15E-050B Specifications¹

Model		AQ15E-050B-H	AQ15E-050BW-H ²
Output	DC Output Voltage	5.0V	
	Max Current	3.0A	
	Output Power	15.0W	
	Regulation	± 5%	
	Ripple & Noise P-P(max) ³	150mV	
Input	AC Input Voltage Range	90 to 264VAC	
	AC Input Frequency	47 to 63Hz	
	Input Current	0.5A (RMS) at full load	
	Inrush Current	80A max at 264Vac, cold start	
	115VAC Input No Load Power Consumption	≤ 0.035W	
	230VAC Input No Load Power Consumption	≤ 0.060W	
	115VAC Input Average Efficiency ⁴	≥ 84.7%	
	230VAC Input Average Efficiency ⁴	≥ 85.1%	
	230VAC 10% Load Efficiency ⁴	≥ 79%	
Protections	Over-Voltage	< 7.5V	
	Short Circuit	Auto recover with no damage	
	Over-Current	< 3.6A, auto-recovery	
Environmental	Operating Temperature	0°C to +40°C	
	Storage Temperature	-25 to +60°C	
	Operating Humidity	10 to 90% RH	
Safety Approvals and EMC (Pending)	Dielectric Withstand (HI-POT)	Primary to Secondary: ≤ 5mA @ 3.6K Vac for 1 min.	
	Insulation Resistance	Primary to Secondary: ≥ 2M ohm @ 500Vdc	
	Standards	IEC 62368-1	
	EMI Emissions	EN 55032 Class B	
	Harmonic Current Emissions	IEC 61000-3-2	
	Voltage Fluctuations & Flicker	IEC 61000-3-3	
Mechanical	Dimensions (L x W x H)	58mm (2.28in) x 40.0mm (1.57in) x 23.3mm (0.92in)	
	DC Output Connector	USB-C	
	Case Color	Black	White
Notes	<ol style="list-style-type: none"> The specifications defined are at ambient temperature of 25°C, unless otherwise specified. Special order MOQ 20MHz bandwidth frequency oscilloscope, add a 0.1μF multilayer Cap. and Low ESR Electrolytic Cap. (10μF) at output connector terminals (nominal line voltage, full load). Efficiency is measured after 15 minutes burn-in. Tested with Huaian Jen Vei Electronic Company., Ltd., USB C-to-C cable part number 1U-01560WA measuring 1,000mm with 30AWGx2C + 30AWGx2C + 22AWGx2C (2E+F+A+S). 		



AQ15E-050B Outline Drawing





USB Cables – Sold Separately

Unit: mm

Part no: UES-1001A160	Desc: Low Drop Type-C USB Cable – 1 Meter – 23AWG on Power – 30AWG on Data - Black
Part no: UES-1003A160	Desc: Low Drop Type-C USB Cable - 1 Meter – 23AWG on Power – 30AWG on Data - White

PRELIMINARY