

AX SERIES



80A/19.2kW EV Wall Mount

AC Charger

FEATURES



Residential and Commercial EV Charging



Wired/Wireless Connection for Central Management System



Support for RFID Card, QR Code and Optional Third Party Payment System



Input: 200Vac~240Vac



Modern, Ergonomic and Customizable Design



5-Inch LCD Display, Optional Non-Display



IP56/NEMA 4 Rated for Indoor/Outdoor Applications



Charging Interface: SAE J1772 (Type 1)/IEC 62196-2 (Type 2)



OCPP 1.6 JSON (Upgradeable to 2.0 OTA)



ISO 15118 Protocol (Plug&Charge, Bi-Directional)



OCPP or Local Load Management (Parent/Child)



Over the Air Technology



Energy Star, CTEP and NTEP (NIST Handbook 44)



For information on the optional pedestal, please refer to the accessory section.

INDUSTRY



Residential/MUD



Commercial



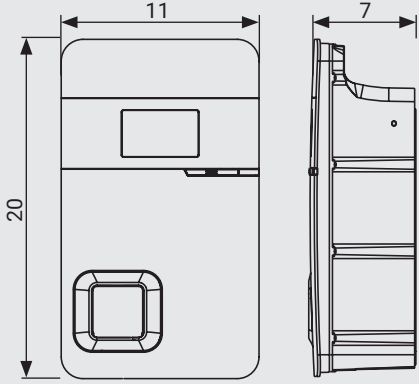
Retail



Parking + Fleet

AC CHARGER EV WALL MOUNT

SPECIFICATION

Model Name	AXLU191001D
Safety	UL/Cul
Outline (in)	

Power Specification

AC Input	Input Rating	Single-Phase: 200~240Vac
	AC Input Connection	TN, TT
	Input Current	80A
	Frequency	50Hz/60Hz
AC Output	Output Current	80A max (with AC breaker capacity selection)
	Output Power	19.2kW (240VAC*80A)

User Interface & Control

Display	5" LCD Display
User Authentication	RFID, Smart Phone App, QR Code and Optional Third Party Payment System
Meter	Meter IC (1% Accuracy)

Communication

Vehicle to Grid Communication Interface	ISO 15118 (Plug&Charge, Bi-Directional)
Network Interface	Ethernet + Wi-Fi (IEEE 802.11 b/g/n) (standard) Ethernet + Wi-Fi (IEEE 802.11 b/g/n) + 4G (optional)
Charging Protocol	OCPP 1.6 JSON (Upgradeable to 2.0 OTA)

Environmental

Operating Temperature	-22°F~122°F (-30°C to +50°C) Standard or -4°F~122°F (-20°C to 50°C) with External EMV Payment
Humidity	< 85% (RH) @122°F (50°C)
Altitude	≤6562ft (2000m)
IP Level	NEMA TYPE 4/IK08
Cooling Method	Natural Cooling

Mechanical

Dimensions (WxDxH)	11 x 7 x 20in (295 x 158 x 505mm)
Weight	<29lbs (13kg)
Cable Length	16.4ft (5m) or 25ft (7.5m) with Optional Cable Management

Protection

Input	UVP, OVP, Surge Protection, Ground Fault
Output	OCP, Control Pilot Fault, Residual Current Protection
Internal	OTP, Relay Welding Detection, CCID Self-Test, MCU Function Fault Detection

Regulation

Certification	UL2594, UL2231-1/-2, Energy Star, CTEP, NTEP (NIST Handbook 44)
Wireless Certification	FCC/IC
Charging Interface	SAEJ1772 Type 1 Plug

