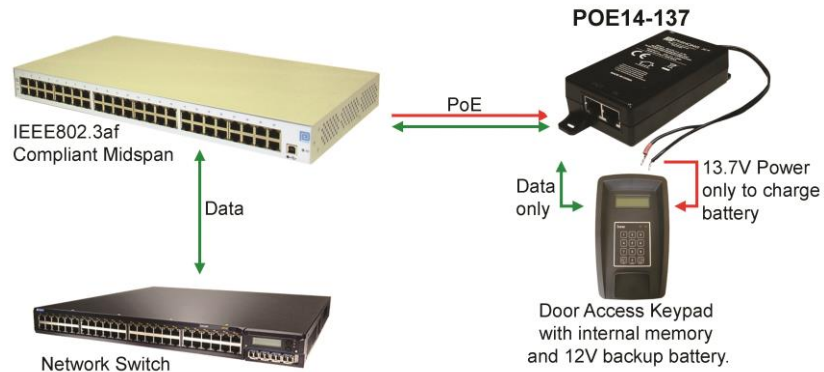




## DC-DC Power over Ethernet Splitter POE14-137 Offers Battery Charging Capabilities



### Features

- Fully Compliant IEEE802.3af
- DC Good LED
- Non Vented Case
- Full Protection OTP, OVP, OCP
- Battery Charging Capability
- Gigabit Compatible
- Output Wires Marked for Polarity

### Applications

- Access Control
- Backup Batteries

### Safety Approvals

- CE

### Mechanical Characteristics

- Length: 100mm (3.94in)
- Width: 56mm (2.2in)
- Height: 28mm (1.1in)
- Weight: 0.2Kg (7.05oz)

### Output Specifications

Model	DC Output Voltage	Load	
		Min.	Max.
POE14-137-R	13.7V	0A	1A

Phihong is not responsible for any error, and reserves the right to make changes without notice. Please visit our website at [www.phihong.com](http://www.phihong.com) for the most up-to-date specifications and contact information.

**INPUT:****DC Input Voltage Range**

36 to 57V DC; Receives power from either data or spare pairs

**DC Input Current**

0.6A (DC) 36V DC at max load

**Inrush Current**

0.4A maximum

**OUTPUT:****Output Power**

13.7W at 36-57V DC

**Regulation**

Line and Load  $\pm 5\%$

**Ripple**

120mVp-p

**Efficiency**

72% (typical) at max load and 48V DC

**ENVIRONMENTAL:****Temperature**

Operation 0 to +40°C

Non-Operation -25 to +65°C

Humidity 5 to 90%

ESD: EN61000-4-2 Level 3

RS: EN61000-4-3 Level 3

CS: EN61000-4-6 Level 3

Note: CS tested with POE20U

**EMI**

Complies with FCC Class B

Complies with EN55032 Class B

**Dielectric Withstand (HI-POT) Test**

1500V AC for 1 minute, 10mA

**Insulation Resistance**

Primary to secondary: >10M Ohm 500V DC

**FEATURES:****Short Circuit Protection**

Output can be shorted permanently without damage

**Over Voltage Protection**

By Zener Clamping

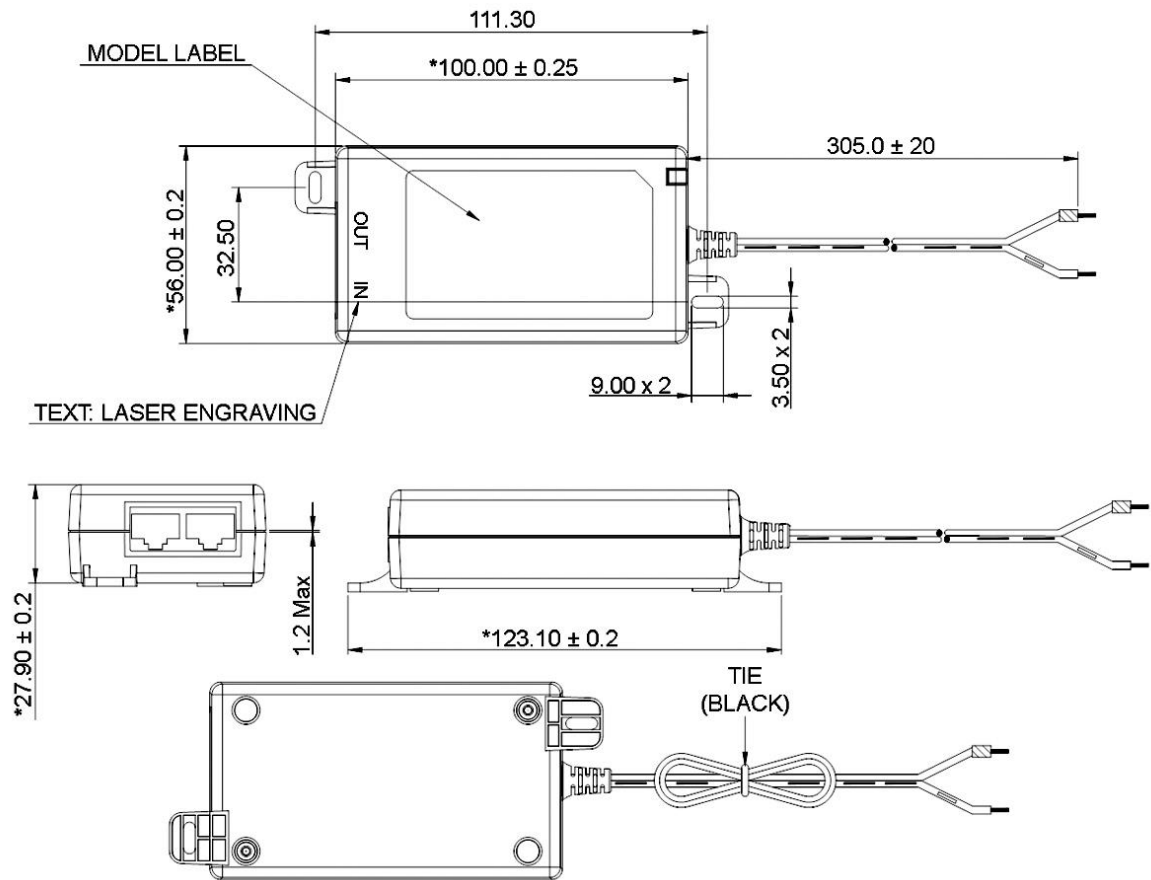
**Indicators**

Green LED – Output Good

**Input and Output Data Connector**

RJ45

**Immunity**



**Supplier's Declaration of Conformity**  
**47 CFR § 2.1077 Compliance Information**

Phihong USA Corporation  
47800 Fremont Boulevard  
Fremont, CA 94538  
Telephone: (510) 445-0100  
[www.phihong.com](http://www.phihong.com)

NOTE: This model has/The models in this products series have been tested and found to comply with the limits for a Class B digital device, pursuant to part 15 of the FCC Rules. These limits are designed to provide reasonable protection against harmful interference in a residential installation. This equipment generates, uses and can radiate radio frequency energy and, if not installed and used in accordance with the instructions, may cause harmful interference to radio communications. However, there is no guarantee that interference will not occur in a particular installation. If this equipment does cause harmful interference to radio or television reception, which can be determined by turning the equipment off and on, the user is encouraged to try to correct the interference by one or more of the following measures:

- Reorient or relocate the receiving antenna.
- Increase the separation between the equipment and receiver.
- Connect the equipment into an outlet on a circuit different from that to which the receiver is connected.
- Consult the dealer or an experienced radio/TV technician for help.

Changes or modifications to equipment not expressly approved by PHIHONG could void the user's authority to operate the equipment.