



60W Power over Ethernet Splitter POE60 Ultra PoE Gigabit Splitter



Designed to work with
POE75U-1UP Single port



Features

- Proprietary Detection, Disconnect and Overload Protection per IEEE802.3af
- Gigabit Compatible
- Non-Vented Case
- Designed to Work with POE75U Single Port Injector or better
- Diagnostic LEDs
- 1 Year Warranty

Applications

- WiMAX Access Point
- Last Mile Wireless
- Computer Workstation
- Multi Radio Access Points

Safety Approvals

- CE

Mechanical Characteristics

- Length: 100mm (3.94in)
- Width: 56mm (2.25in)
- Height: 27.9mm (1.09in)
- Weight: 142g (5.0oz)

Output Specifications

Model	DC Output Voltage	Output Current
POE60D-560(G)-R	50-57V <i>52V min when used with POE75U-1UP</i>	1.1A

Phihong is not responsible for any error, and reserves the right to make changes without notice. Please visit our website at www.phihong.com for the most up-to-date specifications and contact information.

INPUT:

Input Voltage Range

Receives power from either data and spare pairs. 50 to 57Vdc

Input Current

1.4A (DC) max.

OUTPUT:

Regulation

Unregulated

Power

60W for 55-57VDC input range
55W for 50VDC input range

Efficiency

98% (typical) at maximum load 53Vinput

Short Circuit Protection

Output can be shorted permanently without damage

ENVIRONMENTAL:

Temperature

Operation 0 to +40°C
Non-operation -20 to +65°C
Humidity 5 to 90%

Immunity

ESD: EN61000-4-2. Level 3
RS: EN61000-4-3. Level 2
CS: EN61000-4-6. Level 2

EMC

Complies with FCC Class B
Complies with EN55022 Class B

Isolation Test

The splitter output is non-isolated from incoming PoE voltages

Indicators

GREEN LED – Output Good

Cable

Designed to operate up to 100 meters per IEEE 802.3, CAT 5e or CAT6

Input and Output Data Connector

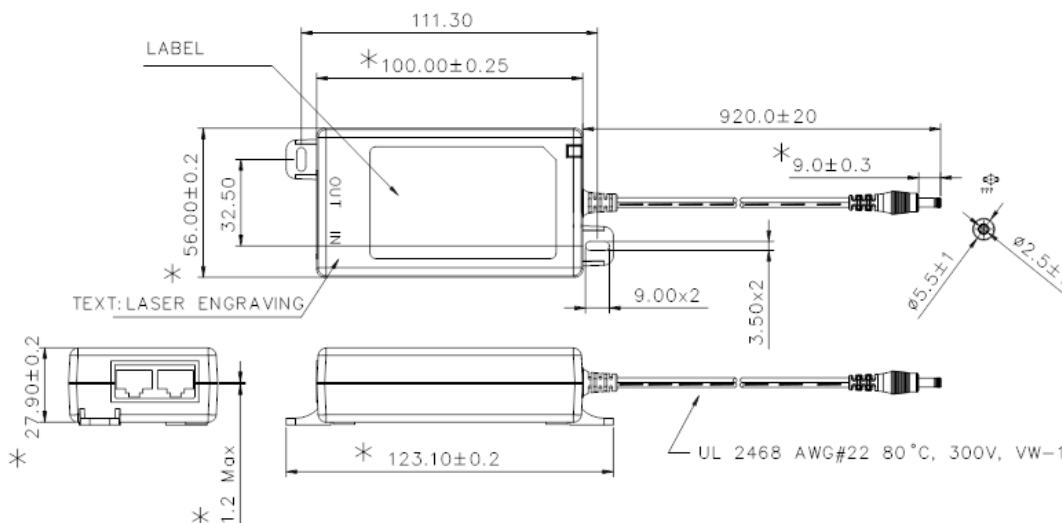
RJ45

Output Connector

Center Positive Barrel 9mm x 2.5mm ID x 5.5mm OD
Tip is user changeable for other sizes



Dimension Diagram Unit: mm



Supplier's Declaration of Conformity
47 CFR § 2.1077 Compliance Information

Phihong USA Corporation
47800 Fremont Boulevard
Fremont, CA 94538
Telephone: (510) 445-0100
www.phihong.com

NOTE: This model has/The models in this products series have been tested and found to comply with the limits for a Class B digital device, pursuant to part 15 of the FCC Rules. These limits are designed to provide reasonable protection against harmful interference in a residential installation. This equipment generates, uses and can radiate radio frequency energy and, if not installed and used in accordance with the instructions, may cause harmful interference to radio communications. However, there is no guarantee that interference will not occur in a particular installation. If this equipment does cause harmful interference to radio or television reception, which can be determined by turning the equipment off and on, the user is encouraged to try to correct the interference by one or more of the following measures:

- Reorient or relocate the receiving antenna.
- Increase the separation between the equipment and receiver.
- Connect the equipment into an outlet on a circuit different from that to which the receiver is connected.
- Consult the dealer or an experienced radio/TV technician for help.

Changes or modifications to equipment not expressly approved by PHIHONG could void the user's authority to operate the equipment.