

PPLA12T Series



12W Interchangeable Plug Wall Mount Adapters



Key Product Features

- Interchangeable US/EU/UK/AU Plugs (sold separately)
- US DoE Level VI Efficiency Compliance
- EU Ecodesign 2019/1782 Compliance
- EU CoC Version 5 Tier 2 Compliance
- Load Regulation: +/-5%
- Over-Voltage, Over-Current and Short Circuit Protection

Applications

- Telecommunication Electronic Devices
- Set-top Devices
- Office Equipment
- Peripheral Devices

Description

Phihong PPLA12T series 12-watt wall adapters utilizing interchangeable plugs are versatile and efficient power solutions designed to meet the needs of a wide range of electronic devices. One of the key features of these adapters is their ability to accommodate various field changeable plug types, including US, EU, UK, and AU plugs. This versatility allows users to easily adapt the adapters to different electrical systems and socket configurations, eliminating the need for multiple adapters or converters when traveling to different countries.

The adapters meet Level VI and EU Ecodesign 2019/1782 efficiency limits as well as those of Level VII limits proposed by the US Department of Energy in 2023 and voluntary Code of Conduct Version 5 Tier 2 limits.

Phihong, a reputable manufacturer known for its high-quality power solutions, ensures that these adapters meet stringent safety standards. Built-in protection mechanisms such as over-voltage protection, over-current protection, and short-circuit protection safeguard your device against potential damage, providing peace of mind to users.

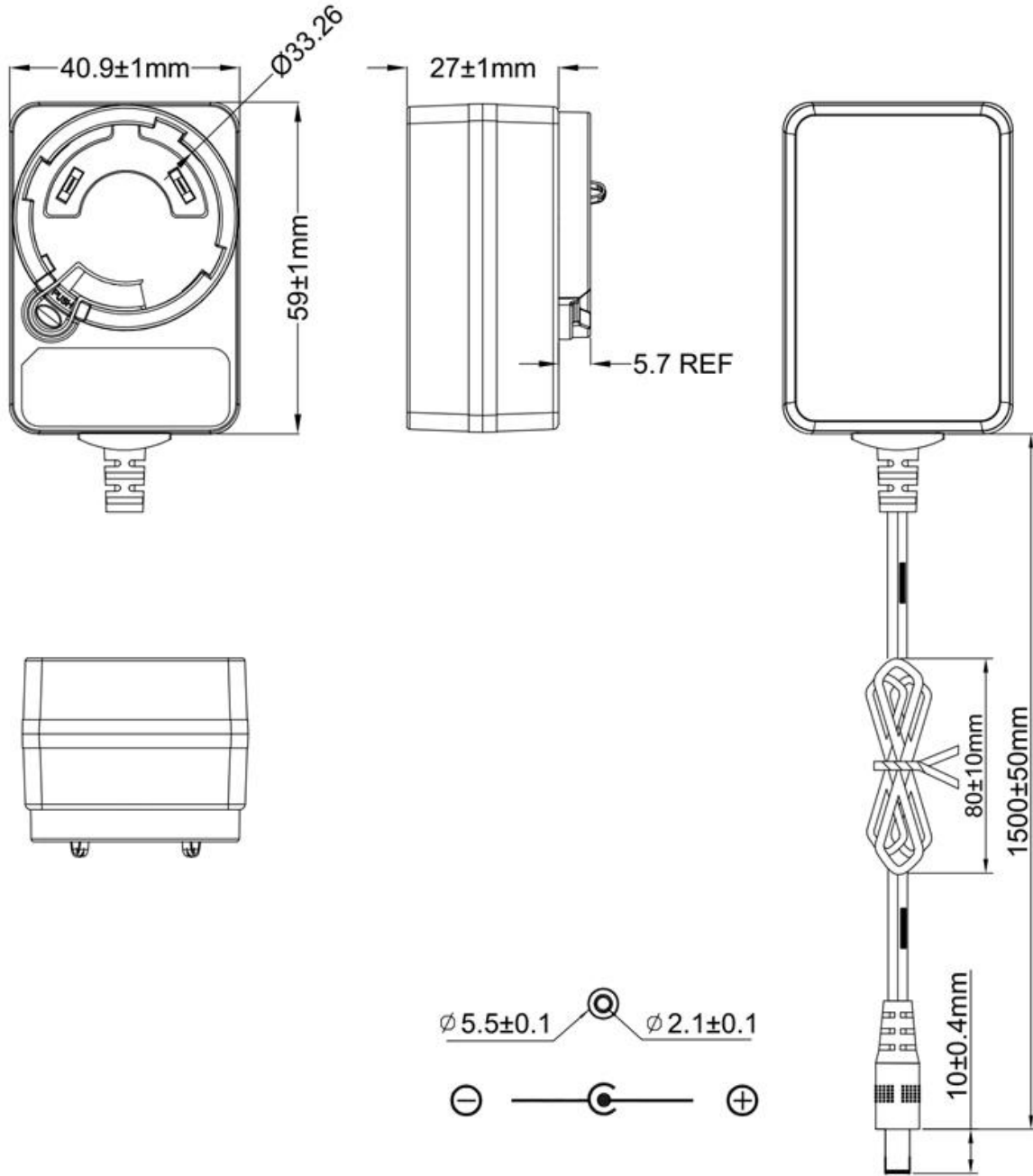
PPLA12T Series

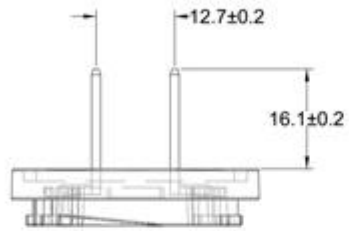
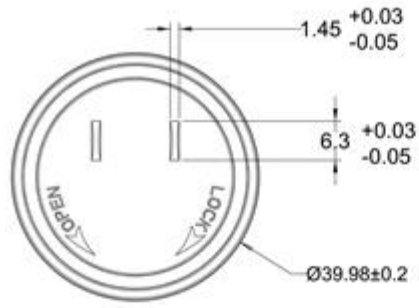
Specifications¹

| Model | | PPLA12T-050 | PPLA12T-090 | PPLA12T-120 |
|------------------------------------|--|---|---------------------------|--------------------------|
| Output | DC Output Voltage | 5.0V | 9.0V | 12.0V |
| | Max Current | 2.4A | 1.33A | 1.0A |
| | Output Power | 12.0W | 12.0W | 12.0W |
| | Regulation | ±1% Line /± 5% Load | ±1% Line /± 5% Load | ±1% Line /± 5% Load |
| | Ripple & Noise P-P(max) ² | 100mV | 120mV | 120mV |
| Input | AC Input Voltage Range | 90 to 264VAC | | |
| | AC Input Frequency | 47 to 63Hz | | |
| | Input Current | 0.4A max. @ input 100-240VAC, full load | | |
| | Inrush Current | 42A max. @ input 240VAC (Cold start at ambient 25°C, full load) | | |
| | No Load Power Consumption at 115VAC Input | ≤0.075W | ≤0.075W | ≤0.075W |
| | No Load Power Consumption at 230VAC Input | ≤0.075W | ≤0.075W | ≤0.075W |
| | 115VAC Average Efficiency ³ | ≥80.304% | ≥83.249% | ≥83.263% |
| | 230VAC Average Efficiency ³ | ≥80.304% | ≥83.249% | ≥83.263% |
| | 230VAC 10% Load Efficiency ³ | ≥71.000% | ≥73.249% | ≥73.263% |
| | Leakage Current | 0.25mA max | | |
| Protection | Over-Voltage | 15V max | 27V max | 27V max |
| | Short Circuit | Auto-recovery and no damage. | | |
| | Over-Current | 4.8A max Auto-restart | 2.66A max Auto-restart | 2.0A max Auto-restart |
| Environmental | Operating Temperature | 0°C to +40°C | | |
| | Non-Operating Temperature | -20°C to +70°C | | |
| | Operating Humidity | 10 to 95% | | |
| Safety Approvals and EMC (Pending) | Dielectric Withstand (HI-POT) | Primary to Secondary: 3000VAC for 1min, 10mA | | |
| | Insulation Resistance | Primary to Secondary: >7M ohm for 500VDC | | |
| | Standards | cULus 62368-1, IEC 62368-1, AS/NZS 62368.1 | | |
| | EMI Emissions | FCC Part 15 Class B, CAN ICES-003(B)/NMB-003(B), CISPR 32 Class B Conducted & Radiated | | |
| | Harmonic Current Emissions | IEC 61000-3-2 | | |
| | Voltage Fluctuations & Flicker | IEC 61000-3-3 | | |
| Mechanical | Immunity | EN 55035/CISPR 35: IEC 61000-4-2 (+/-8kV air, +/- 4kV contact), IEC 61000-4-3, IEC 61000-4-4, IEC 61000-4-5 (2KV L-L, 1KV L-FG), IEC 61000-4-6, IEC 61000-4-8, IEC 61000-4-11 | | |
| | Dimensions (L x W x H) | 59.0mm (2.32in) x 40.9mm (1.61in) x 32.7mm (1.29in) | | |
| | DC Cord & Gauge | 1500mm & 20AWG | | |
| | DC Output Connector | 2.1mm x 5.5mm x 10mm center positive | | |
| MTBF | Telcordia (SR-332 Issue 3) | >1,000,000 Hours min. at 264VAC/50Hz, max. load, 25°C | | |
| Notes | <ol style="list-style-type: none"> The specifications defined are at ambient temperature of 25C, unless otherwise specified. 20MHz bandwidth frequency oscilloscope, add a 0.1µF multilayer Cap. and Low ESR Electrolytic Cap. (10µF) at output connector terminals (nominal line voltage, full load). Efficiency is measured after 30 minutes burn-in. | | | |

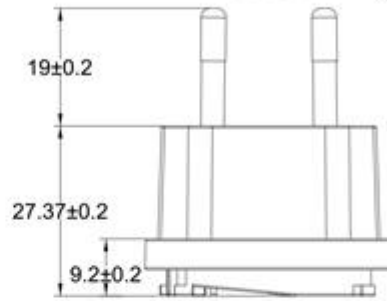
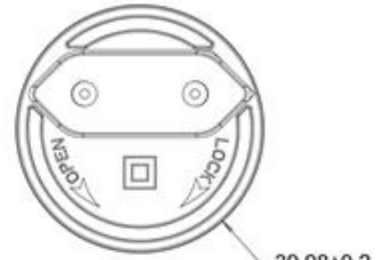
PPLA12T Series

Outline Drawing

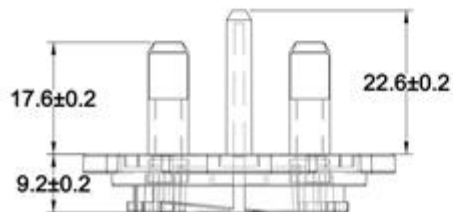
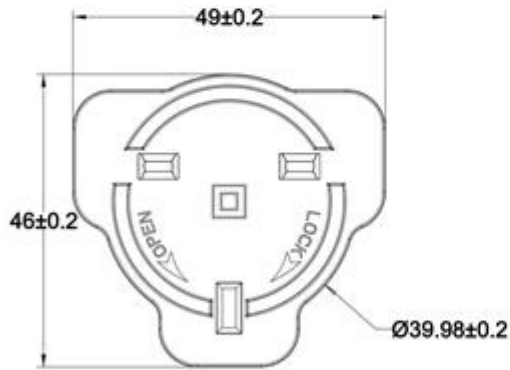




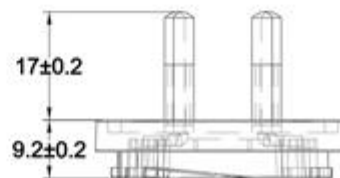
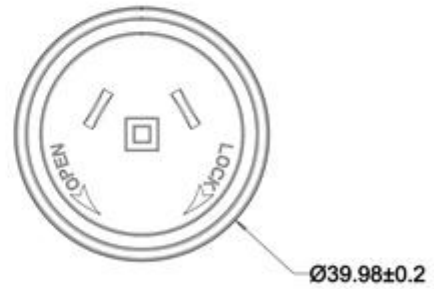
TPA



TPE



TPK



TPS