



5W Fixed Blade USB Charger – AU/NZ



Features

- Fixed Blade
- Halogen Free
- Low Profile
- Low Cost
- Halogen Free
- The charging scheme: Data Lines (Pins 2 and 3) Shorted
- Australian and New Zealand MEPS (Minimum Energy Performance Standards) Compliance
 - AS/NZS 4665.1:2005 + A1:2009
 - AS/NZS 4665.2:2005 + A1:2009

Applications

- Smart Phones
- PDAs
- Personal Electronics
- Digital Cameras

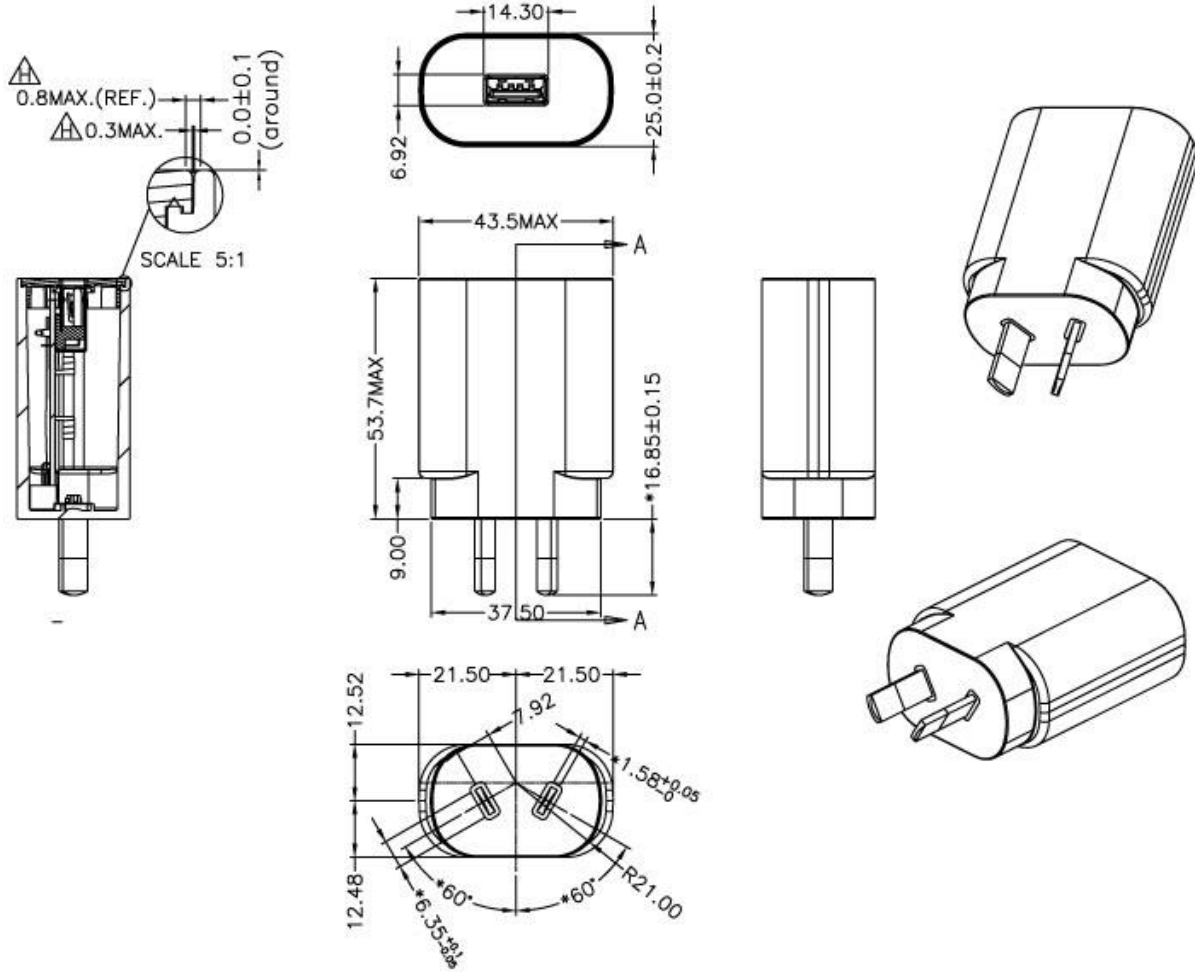


PSA05S Specifications¹

Model		PSA05S-050QL6-H ²	PSA05S-050QL6WS-H ²
Output	DC Output Voltage	5.0V	
	Max Current	1.0A	
	Output Power	5.0W	
	Regulation	± 5%	
	Ripple & Noise P-P(max) ³	200mV	
Input	AC Input Voltage Range	90 to 264VAC	
	AC Input Frequency	47 to 63Hz	
	Input Current	0.15A(RMS) max	
	No Load Power Consumption at 115VAC Input	≤0.1W	
	No Load Power Consumption at 230VAC Input	≤0.075W	
	115VAC Average Efficiency ⁴	≥73.60%	
	230VAC Average Efficiency ⁴	≥73.8%	
Protection	Leakage Current	5uA max	
	Over-Voltage	7.0V max	
	Short Circuit	Auto restart	
Environmental	Over-Current	1.5A max	
	Operating Temperature	0°C to +40°C	
	Non-Operating Temperature	-40° to +85°C	
Safety Approvals and EMC	Operating Humidity	90% RH max	
	Dielectric Withstand (HI-POT)	Primary to Secondary: 3000VAC for 1min, 10mA	
	Insulation Resistance	Primary to Secondary: 10M ohm for 500VDC	
	Standards	AS/NZS 62368.1:2018	
	EMI Emissions	EN 55032/CISPR 32 Class B Conducted and Radiated	
	Harmonic Current Emissions	IEC 61000-3-2	
	Voltage Fluctuations & Flicker	IEC 61000-3-3	
Mechanical	Immunity	EN 55035/CISPR 35: IEC 61000-4-2 (Contact:+/- 4KV, Air:+/- 8KV), IEC 61000-4-3, IEC 61000-4-4, IEC 61000-4-5 (+/- 1kV), IEC 61000-4-6, IEC 61000-4-8, IEC 61000-4-11	
	Dimensions (L x W x H)	70.6mm (2.78in) x 43.5mm (1.71in) x 25.0mm (0.98in)	
	DC Output Connector	USB-A	
Notes	Case Color	Black	White
	<ol style="list-style-type: none"> The specifications defined are at ambient temperature of 25C, unless otherwise specified. Special order item. Minimum order quantity applies. 20MHz bandwidth frequency oscilloscope, add a 0.1µF multilayer Cap. and Low ESR Electrolytic Cap. (10µF) at output connector terminals (nominal line voltage, full load). Efficiency is measured after 30 minutes burn-in. 		



PSA05S Outline Drawing

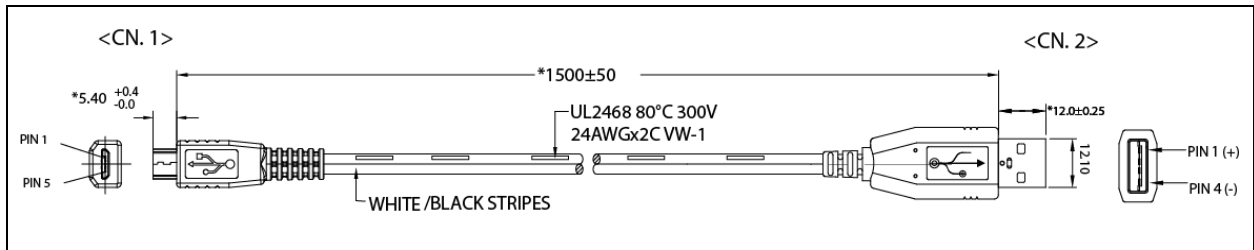




USB Cables – Sold Separately

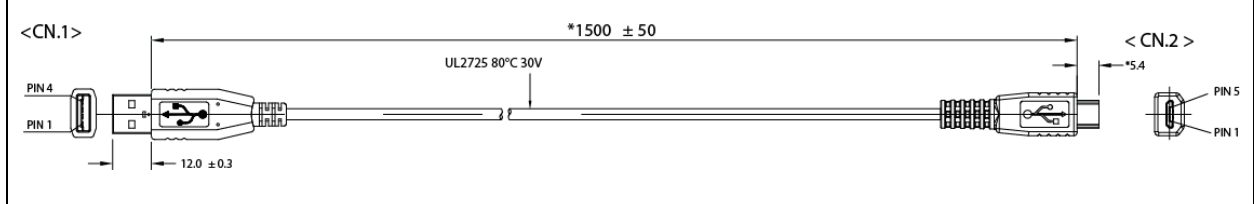
Unit: mm

Part no: IP-USB1(C10)S	Desc: USB-A to Micro-B – 1 Meter – Black
Part no: IPUSB1CS	Desc: USB to Mini-B – 1.5 Meter – Black
Part no: IPUSB1MS	Desc: USB-A to Micro-B – 1.5 Meter – Black
Part no: IPUSB1M5LD	Desc: USB-A to Micro-B – 24AWG – Low Drop – 1.5 Meter – Black
Part no: IPUSB1P5	Desc: USB-A to Micro-B – 1 Meter – 24AWG – Black
Part no: IPUSB1P5W	Desc: USB-A to Micro-B – 1 Meter – 24AWG – White



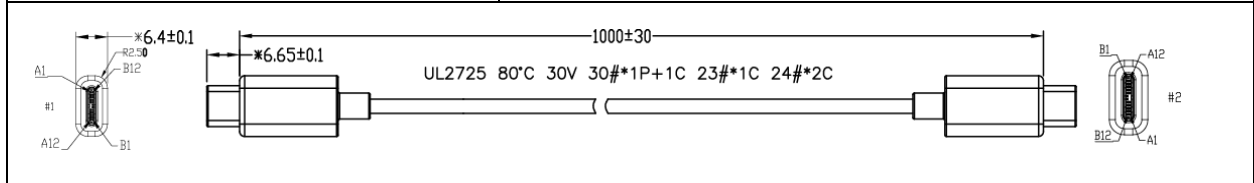
Part no: IPUSB1MSW

Desc: USB-A to Micro-B – 1.5 Meter – White



Part no: UES-1001A160

Desc: Low Drop Type-C USB Cable – 1 Meter – 23AWG on Power – 30AWG on Data - Black



Part no: UES-1003A160

Desc: Low Drop Type-C USB Cable - 1 Meter – 23AWG on Power – 30AWG on Data - White

