



# 5W Fixed Blade Wall Mount Adapter – AUS/NZ



## **Features**

- Double Insulated
- Low Leakage Current
- Low Cost
- Small Package Size
- Class B EMI
- AS/NZS 4665.1:2005, AS/NZS 4665.2:2005 Compliance

## **Applications**

- MPEG Players
- Personal Electronics
- PDAs
- Digital Cameras

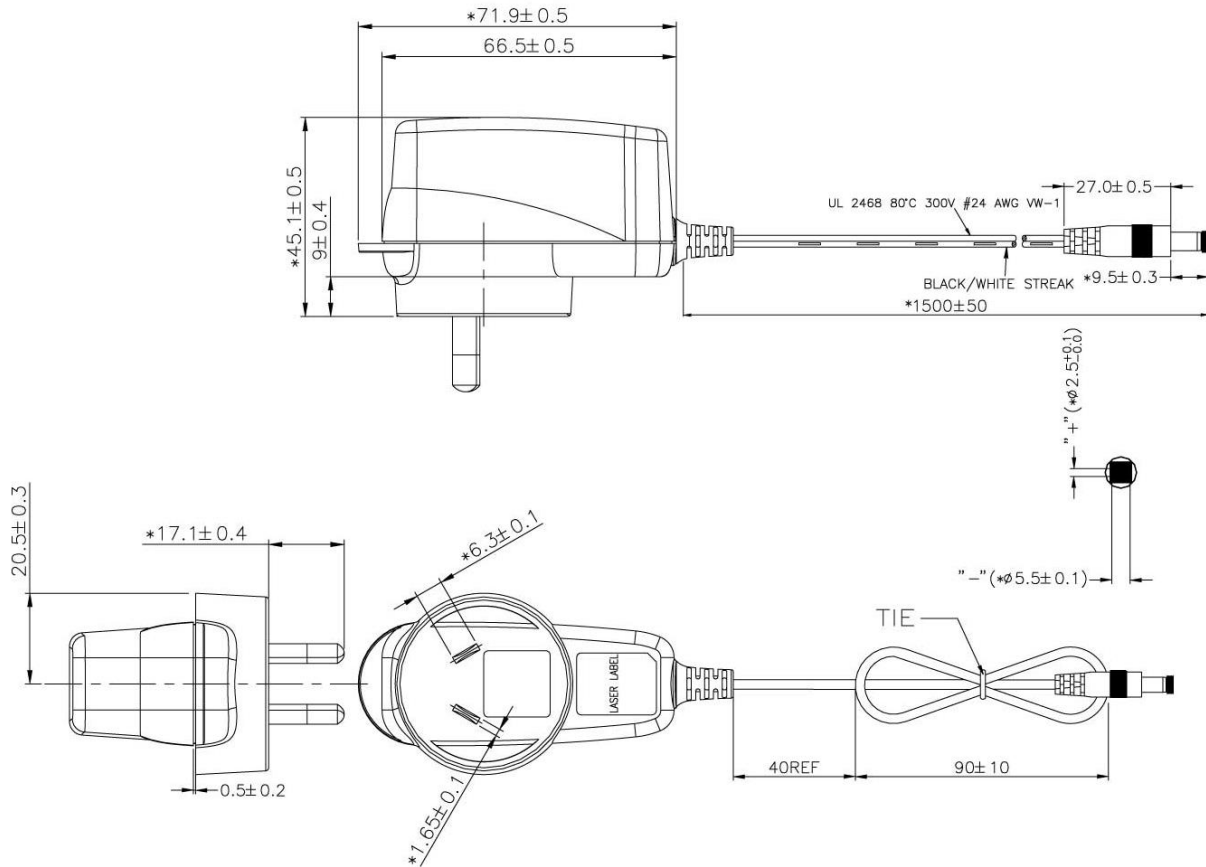


# PSAC05S Specifications<sup>1</sup>

Model		PSAC05S-050L6-R	PSAC05S-050L6M-R
Output	DC Output Voltage	5.0V	
	Max Current	1.0A	
	Output Power	5.0W	
	Regulation	± 5%	
	Ripple & Noise P-P(max) <sup>2</sup>	150mV	
Input	AC Input Voltage Range	90 to 264VAC	
	AC Input Frequency	47 to 63Hz	
	Input Current	0.15A(RMS) max	
	Inrush Current	40A @115VAC/60Hz max load; 60A @230VAC/50Hz max load (Cold start at ambient 25°C)	
	No Load Power Consumption at 115VAC Input	0.020W	0.020W
	No Load Power Consumption at 230VAC Input	0.029W	0.029W
	115VAC Average Efficiency <sup>3</sup>	75.92%	75.92%
	230VAC Average Efficiency <sup>3</sup>	74.44%	74.44%
	Leakage Current	250uA max	
Protection	Over-Voltage	7.5V max	
	Over-Current	2A max	
	Short Circuit	Output can be shorted permanently without damage	
Environmental	Operating Temperature	0°C to +40°C	
	Non-Operating Temperature	-20° to +70°C	
	Operating Humidity	0 to 90%	
Safety Approvals and EMC	Dielectric Withstand (HI-POT)	Primary to Secondary: 3000VAC for 1min, 10mA	
	Insulation Resistance	Primary to Secondary: 10M ohm for 500VDC	
	Standards	IEC 62368-1	
	EMI Emissions	EN 55032/CISPR 32 Class B Conducted and Radiated	
	Harmonic Current Emissions	IEC 61000-3-2	
	Voltage Fluctuations & Flicker	IEC 61000-3-3	
	Immunity	EN 55024/CISPR 24: IEC 61000-4-2 (Contact:+/- 4KV, Air:+/- 8KV), IEC 61000-4-3, IEC 61000-4-4, IEC 61000-4-5 (+/- 1kV), IEC 61000-4-6, IEC 61000-4-8, IEC 61000-4-11	
Mechanical	Dimensions (L x W x H)	71.9mm (2.83in) x 41.0mm (1.61in) x 62.2mm (2.45in)	
	Weight		
	DC Output Connector	2.1mm x 5.5mm x 10.0mm Barrel Center Positive	USB Micro B
Notes	<ol style="list-style-type: none"> <li>The specifications defined are at ambient temperature of 25C, unless otherwise specified.</li> <li>20MHz bandwidth frequency oscilloscope, add a 0.1µF multilayer Cap. and Low ESR Electrolytic Cap. (10µF) at output connector terminals (nominal line voltage, full load).</li> <li>Efficiency is measured after 30 minutes burn-in.</li> </ol>		



# PSAC05S-050L6-R Outline Drawing





# PSAC05S-050L6M-R Outline Drawing

