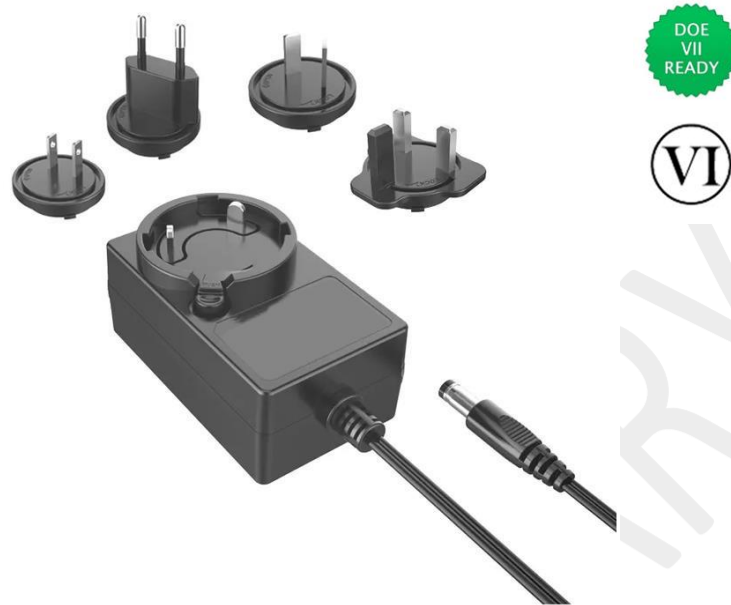


# PYA18T120150



## 18W 12V Interchangeable Plug Wall Mount Adapter



### Features

- Interchangeable US/EU/UK/AU Plugs (sold separately)
- US DoE Level VI Efficiency Compliance
- EU Ecodesign 2019/1782 Compliance
- EU CoC Tier 2 Compliance
- Load Regulation: +/-5%
- No Load power consumption < 0.1W
- Over-Voltage, Over-Current and Short Circuit Protection

### Applications

- Smart Home Devices
- Telecommunication Electronic Devices
- Office Equipment

### Description

Phihong PYA18T120150 18-watt 12-volt wall adapter with interchangeable plugs is a versatile and efficient power solution designed to meet the needs of a wide range of electronic devices. One of the key features of this adapter is its ability to accommodate various field changeable plug types, including US, EU, UK, and AU plugs. This versatility allows users to easily adapt the adapter to different electrical systems and socket configurations, eliminating the need for multiple adapters or converters when traveling to different countries.

The adapters meet Level VI and EU Ecodesign 2019/1782 efficiency limits as well as those of Level VII limits proposed by the US Department of Energy in 2023 and voluntary Code of Conduct Version 5 Tier 2 limits.

Phihong, a reputable manufacturer known for its high-quality power solutions, ensures that this adapter meets stringent safety standards. Built-in protection mechanisms such as over-voltage protection, over-current protection, and short-circuit protection safeguard your device against potential damage, providing peace of mind to users.

# PYA18T120150

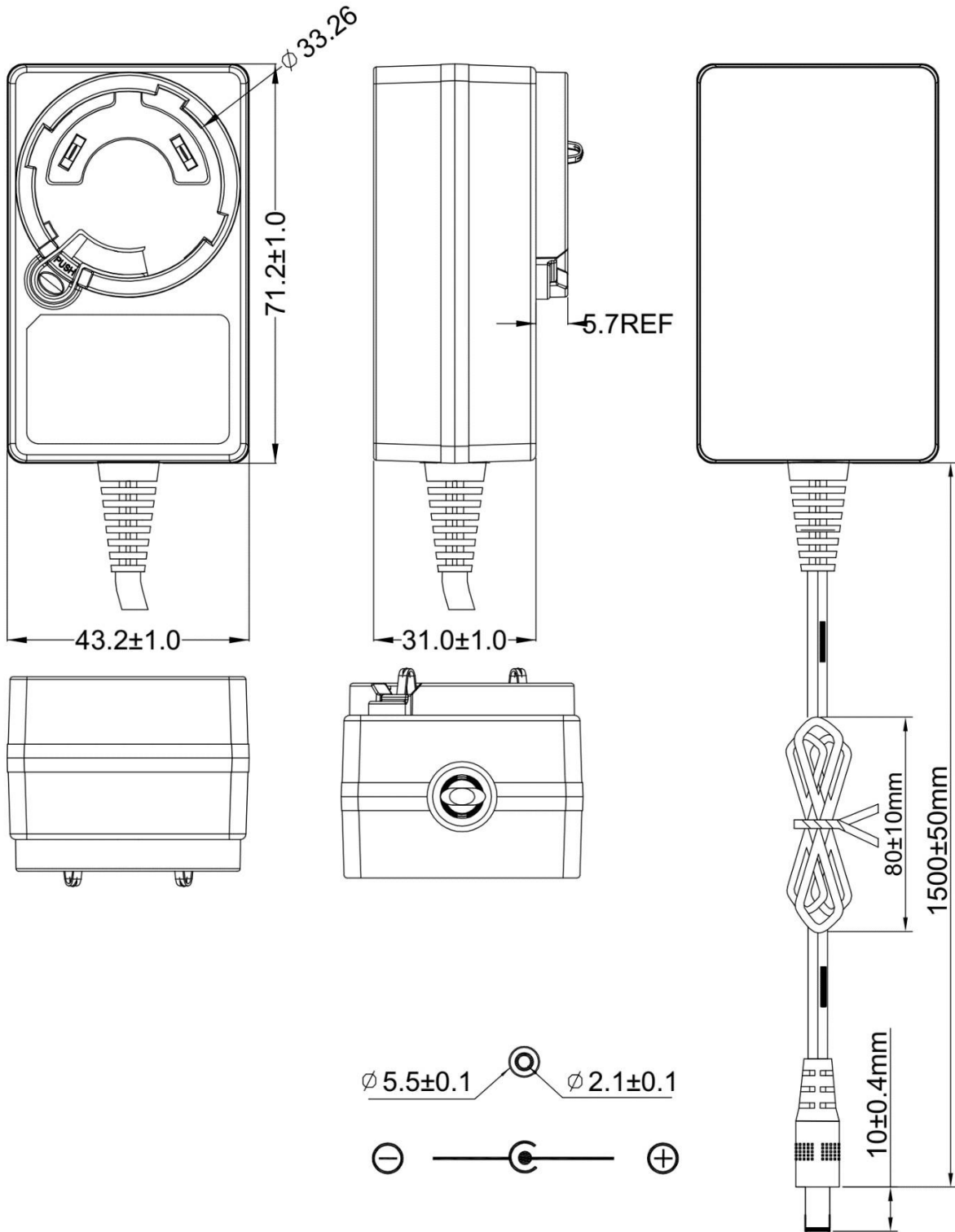


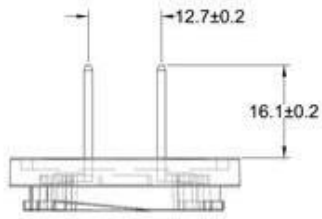
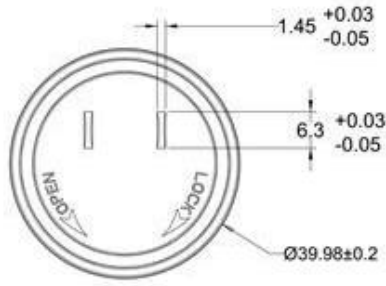
## Specifications<sup>1</sup>

| Model                              |  | PYA18T120150  |
|------------------------------------|--|---|
| Output                             | DC Output Voltage  | 12V   |
|                                    | Max Current  | 1.5A  |
|                                    | Output Power   | 18.0W   |
|                                    | Regulation   | ± 1% Line / ± 5% Load   |
|                                    | Ripple & Noise P-P(max) <sup>2</sup>   | 150mV   |
| Input                              | AC Input Voltage Range   | 90 to 264VAC  |
|                                    | AC Input Frequency   | 47 to 63Hz  |
|                                    | AC Input Current   | 0.6A max. @ input 100-240VAC, full load   |
|                                    | AC Inrush Current  | 40A max. @ input 240VAC   |
|                                    | No Load Power Consumption at 115VAC Input  | ≤0.075W   |
|                                    | No Load Power Consumption at 230VAC Input  | ≤0.075W   |
|                                    | 115VAC Average Efficiency <sup>3</sup>   | ≥85.452%  |
|                                    | 230VAC Average Efficiency <sup>3</sup>   | ≥85.452%  |
|                                    | 230VAC 10% Load Efficiency <sup>3</sup>  | ≥75.452%  |
|                                    | Leakage Current  | 0.25mA max. at 264VAC/50Hz max., no load  |
| Protection                         | Over-Voltage   | 24V max   |
|                                    | Short Circuit  | Auto-recovery and no damage.  |
|                                    | Over-Current   | 3.0A max, auto-recovery   |
| Environmental                      | Operating Temperature  | 0°C to +40°C  |
|                                    | Non-Operating Temperature  | -20°C to +70°C  |
|                                    | Operating Humidity   | 10% to 95% RH max   |
| Safety Approvals and EMC (Pending) | Dielectric Withstand (HI-POT)  | Primary to Secondary: 3000VAC, 10mA max. 1 min.   |
|                                    | Insulation Resistance  | Primary to Secondary: Min. 50M OHM at 500 VDC   |
|                                    | Standards  | cULus 62368-1, IEC 62368-1, AS/NZS 62368.1  |
|                                    | EMI Emissions  | FCC Part 15 Class B, CAN ICES-003(B)/NMB-003(B), CISPR 32 Class B Conducted & Radiated  |
|                                    | Harmonic Current Emissions   | IEC 61000-3-2   |
|                                    | Voltage Fluctuations & Flicker   | IEC 61000-3-3   |
|                                    | Immunity   | EN 55035/CISPR 35: IEC 61000-4-2 (+/-8kV air, +/- 4kV contact), IEC 61000-4-3, IEC 61000-4-4, IEC 61000-4-5 (2KV L-L, 1KV L-FG), IEC 61000-4-6, IEC 61000-4-8, IEC 61000-4-11 |
| Mechanical                         | Dimensions (L x W x H)   | 71.2mm (2.80in) x 43.2mm (1.70in) x 36.7mm (1.44in)   |
|                                    | Cable Length & Gauge   | 1500mm 22AWG  |
|                                    | DC Output Connector  | 2.1mm (+) x 5.5mm (-) x 10mm  |
| MTBF                               | Telcordia (SR-332 Issue 3)   | >1,000,000 Hours min. at 264VAC/50Hz, max. load, 25°C   |
| Notes                              | <ol style="list-style-type: none"> <li>The specifications defined are at ambient temperature of 25C, unless otherwise specified.</li> <li>20MHz bandwidth frequency oscilloscope, add a 0.1µF multilayer Cap. and Low ESR Electrolytic Cap. (10µF) at output connector terminals (nominal line voltage, full load).</li> <li>Efficiency is measured after 30 minutes burn-in.</li> </ol> |   |

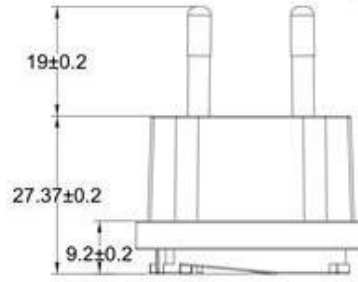
# PYA18T120150

## Outline Drawing

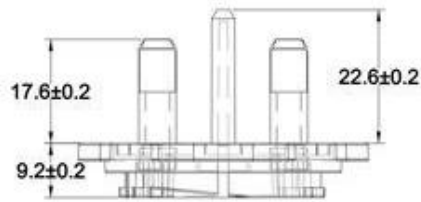
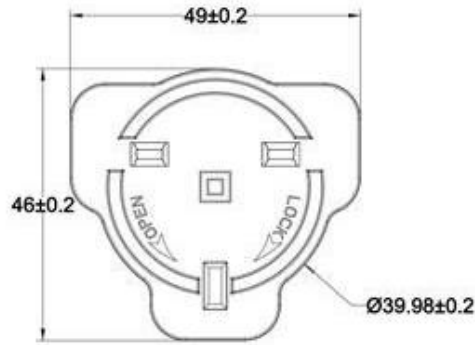




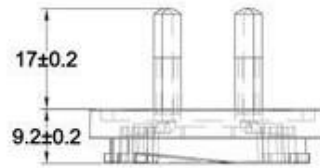
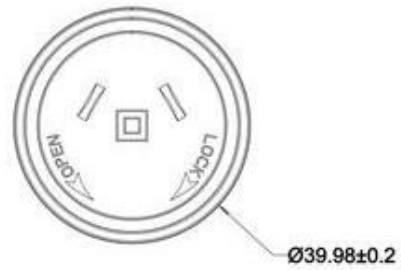
TPA



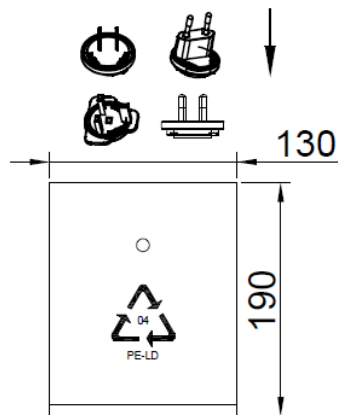
TPE



TPK



TPS



# TPBAG

Contains a set of all four clips (TPA, TPE, TPK, and TPS)